



POLARIS SPORTSMAN

2023

ACCESSORIES,
GARAGE & APPAREL

EMEA VERSION

FORGE YOUR OWN PATH



The ATV that defined the industry, Sportsman combines legendary smoothness, unstoppable versatility and an ease of use that the competition continues to chase, which is why Sportsman is chosen by more ATV owners. Whether you're tearing up the trails, working out in the fields, or navigating the wilderness for the perfect hunt, there is a Sportsman story to be told.

LINEUP

570 P. 14

RECREATION & UTILITY	TOURING	WORK	
SPORTSMAN 570 (EPS/EBS)	SPORTSMAN TOURING 570 (EPS/EBS)	SPORTSMAN 570 6X6	SPORTSMAN 570 X2

SPECIAL EDITION

SPORTSMAN 570 AGRI PRO	SPORTSMAN 570 HUNTER	SPORTSMAN 570 BLACK LE
SPORTSMAN 570 OHLINS	SPORTSMAN X2 570 NORDIC PRO	SPORTSMAN SP 570 SPECIAL EDITION

XP 1000 / XP 1000 S P. 26

RECREATION & UTILITY	TOURING	
SPORTSMAN XP 1000	SPORTSMAN XP 1000 S	SPORTSMAN TOURING XP 1000

SCRAMBLER P. 34

SCRAMBLER XP 1000	SCRAMBLER XP 1000 S

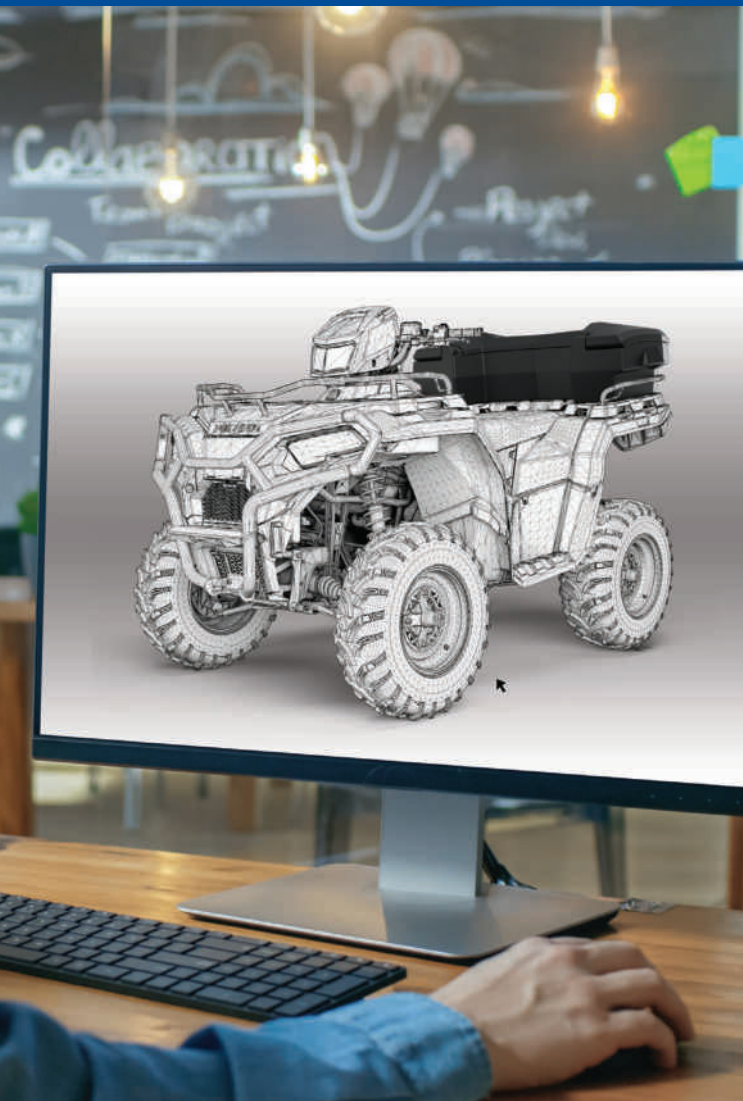
YOUTH P. 36

CONTENTS

WINCHES	8
570	10
WINCHES, PROTECTION & RACKS	12
COMFORT, AUDIO & STORAGE	14
WINDSHIELDS	16
570 6X6, 570 TOURING & 570 X2	18
XP 1000 / XP 1000 S	20
WINCHES, RACKS & PROTECTION	22
STORAGE, AUDIO & COMFORT	24
WINDSHIELDS	26
SCRAMBLER XP 1000 S	28
YOUTH	30
COMMON ACCESSORIES	32
GLACIER PLOW SYSTEMS	32
TRACKS	34
WHEELS & TIRES	36
LIGHTING	42
HUNT	44
POLARIS NORTHSTAR COOLERS	46
PARTS & GARAGE	48
MAINTENANCE	48
OIL & LUBRICANTS	50
MAINTENANCE FLUIDS	52
HD PARTS	54
SERVICE PARTS	56
CLEANERS & TRAILERING	58
APPAREL	60
RACING COLLECTION	63
JERSEYS & GLOVES & HEATED APPAREL	64
HELMETS & GOGGLES	66
MEN'S APPAREL	68
BALL CAPS	72
CAMO APPAREL	73
WOMEN'S APPAREL	74
HOME & COLLECTIBLES	76

DESIGNED

by the people who designed your vehicle.



TESTED

extensively in the field so you ride with 100% confidence.



TRUSTED

65 years in the business.
The #1 name in Off-Road.



**WE HOLD OUR PARTNERS
TO THE SAME STANDARDS**



WHEELS, TIRES & LIGHTING DESIGNED
WITH POLARIS TO MAXIMIZE PERFORMANCE
P. 36, 43



A GLOBAL LEADER IN AUDIO INNOVATION,
DESIGN & ENGINEERING
P. 15, 25



PRODUCTS SO GOOD THEY REPLACE
OR REPAIR THEM FOR LIFE
P. 42



MAKING PRODUCTS FOR
AVID SPORTSMEN SINCE 1943
P. 44

ENGINEERED FOR MORE

Ensuring Polaris Engineered Accessories fit and work in sync with your machine is the most critical phase of testing and validation. With seamless integration, you can trust that any Polaris accessory you install will enhance your interaction beyond your expectations.



LOCK & RIDE®

CARGO VERSATILITY

Lock & Ride mounting locations allow for limitless customization to let you work the way you want.

P.15,24

PRO PRO HEAVY DUTY SERIES

WINCHES

INTEGRATED WINCH MOUNT & PRE-WIRED

Designated mounting points and pre-wired contactors ensure a perfect fit and the strongest place to attach the Polaris Engineered winch - the most dependable winch for your Sportsman. With wiring built right into the vehicle, we made this the easiest Sportsman winch ever made to install.

P.8

GLACIER®

PLOW SYSTEM

INTEGRATED PLOW MOUNT

The attachment points for the Glacier Plow System are integrated right at the factory and feature an innovative drive-up and go installation process.

P.32



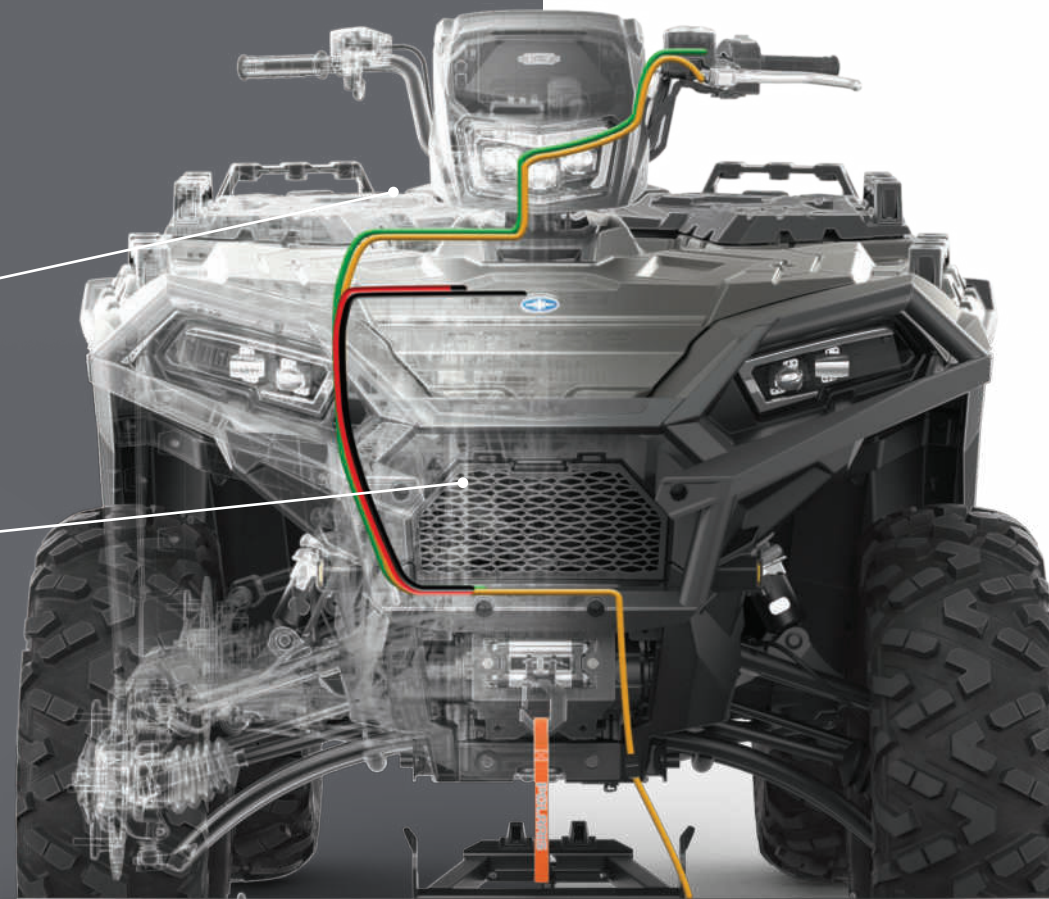
SUPERIOR INTEGRATION

POLARIS
ENGINEERED

Right from the factory, your vehicle is built to make essential accessories like winches and plows easy to use day-in and day-out. Mounting brackets are designed into the oversized factory bumper and wiring is routed securely and properly. When it comes to Sportsman, Polaris Engineered Accessories make work easier so you can get more done.

POLARIS ENGINEERED WINCHES

- ✓ Tested 1,200+ pulls at max load, it works when you need it to
- ✓ Built for winter, withstands -29° C temperatures
- ✓ **Pre-wired chassis**
Factory-installed wiring makes the controls simple to install. Mount the winch, connect the wires and trust that everything is routed safely, securely, and properly.
- ✓ **No need to cut panels**
- ✓ Sealed motor and heavy-duty gears operate fully submerged underwater
- ✓ Military tested and approved



GLACIER PLOW SYSTEM

- ✓ Easily engage and disengage the plow system from your Sportsman
- ✓ No loss of factory ground clearance when not plowing
- ✓ Don't have to crawl under the machine to release the plow blade from the vehicle
- ✓ No trimming of vehicle plastic required to mount plow or winch



LEARN MORE ABOUT
POLARIS ENGINEERED WINCHES
SEE P. 8

LEARN MORE ABOUT THE
GLACIER PLOW SYSTEM
SEE P. 32

WINCHES



ADD A PLOW
P. 32

PRO PRO HEAVY DUTY SERIES

TOP-OF-THE-LINE FEATURES

BEST FOR PLOWING, HEAVY-DUTY OUTDOOR CHORES & TRAIL RIDING

HD HEAVY DUTY SERIES

BUILT FOR THE OFF-ROAD

BEST FOR THE CASUAL OFF-ROAD RIDER



DEPENDABLE. TOUGH. BUILT FOR THE OFF-ROAD.

A Polaris Engineered winch is designed to help you get the job done right, get you on your way faster and prepare you for the unexpected.

WHY POLARIS?

Polaris off-road vehicles are engineered with designated mounting points and wiring for seamless install of Polaris Engineered winches.



TESTED **1,200+** PULLS AT MAX LOAD



BUILT TO WITHSTAND **-29° C** TEMPERATURES



OPERATES FULLY **SUBMERGED**



MILITARY TESTED & APPROVED

REPLACEMENT PART



REPLACEMENT STEEL CABLE

- 1588 kg winch series - 15.2 m
- » 2878890



RECOVERY STRAP

- 5cm x 9.1 m (8165 kg)
- Comes with carry bag
- » 2884033

FEATURES & BENEFITS

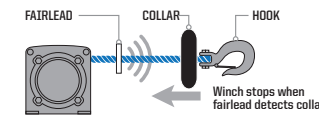
ALL POLARIS ENGINEERED WINCHES COME WITH:

- ✓ INTEGRATED WIRING, MOUNT, PREASSEMBLED
- ✓ HOOK WITH STRAP
- ✓ CUT STEEL GEARS & SEALED DRIVETRAIN
- ✓ SEALED PERMANENT MAGNET MOTOR



Retrieve cable 5x as fast as standard mode on other Polaris winches. Get back to riding or complete your task quicker.

1. Set winch dial to N (Neutral) to manually pull the rope out and secure the hook to your anchor point
2. Set winch dial to L (Low) for maximum pulling power while winching your load
3. Set winch dial to H (High) for retrieving the rope 5x faster with Rapid Rope Recovery



Auto Stop technology protects and extends the life of your winch by automatically stopping the winch at the end of pull to prevent over-spooling. While plowing, it prevents the plow frame from bending by stopping the winch once the plow has been lifted.



With its lightweight, yet extremely strong, design and superior flexibility, this 15.2 m long synthetic rope is easy to handle and can stand up to any tough job.



This convenient remote operates your Polaris winch wirelessly from within 15.2 m of the vehicle. Operate your winch safely outside your vehicle while on the job site or trails.

MODEL

450 H.O. '21-23
570 '21-23

450 H.O. '16-20
570 '14-20
X2 570 '15-23
TOURING 570 '14-21
6X6 570 '17-21

850 '12-23
XP 1000 '15-23
TOURING XP 1000 '15-23
TOURING 850 '15-23
SCRAMBLER 850 '14-23

SPORTSMAN XP 1000 S '20-23
SCRAMBLER XP 1000 S '20-23

PRO PRO HEAVY DUTY SERIES

HD HEAVY DUTY SERIES



NOT AVAILABLE



ADD AUTO STOP TECHNOLOGY



2881693
SYNTHETIC ROPE REQUIRED
FITS WINCHES: 2880434, 2880432



2889253
SYNTHETIC ROPE REQUIRED
FITS WINCHES: 2884832, 2884833, 2889469, 2889470



TOP SELLER
ADD SYNTHETIC ROPE
2878888



ADD WIRELESS WINCH REMOTE

2879316

1588 kg
with Synthetic Rope

TOP SELLER
2884834

1588 kg
with Synthetic Rope

TOP SELLER
2884833

TOP SELLER
2880434

2889470

1134 kg
with Steel Cable

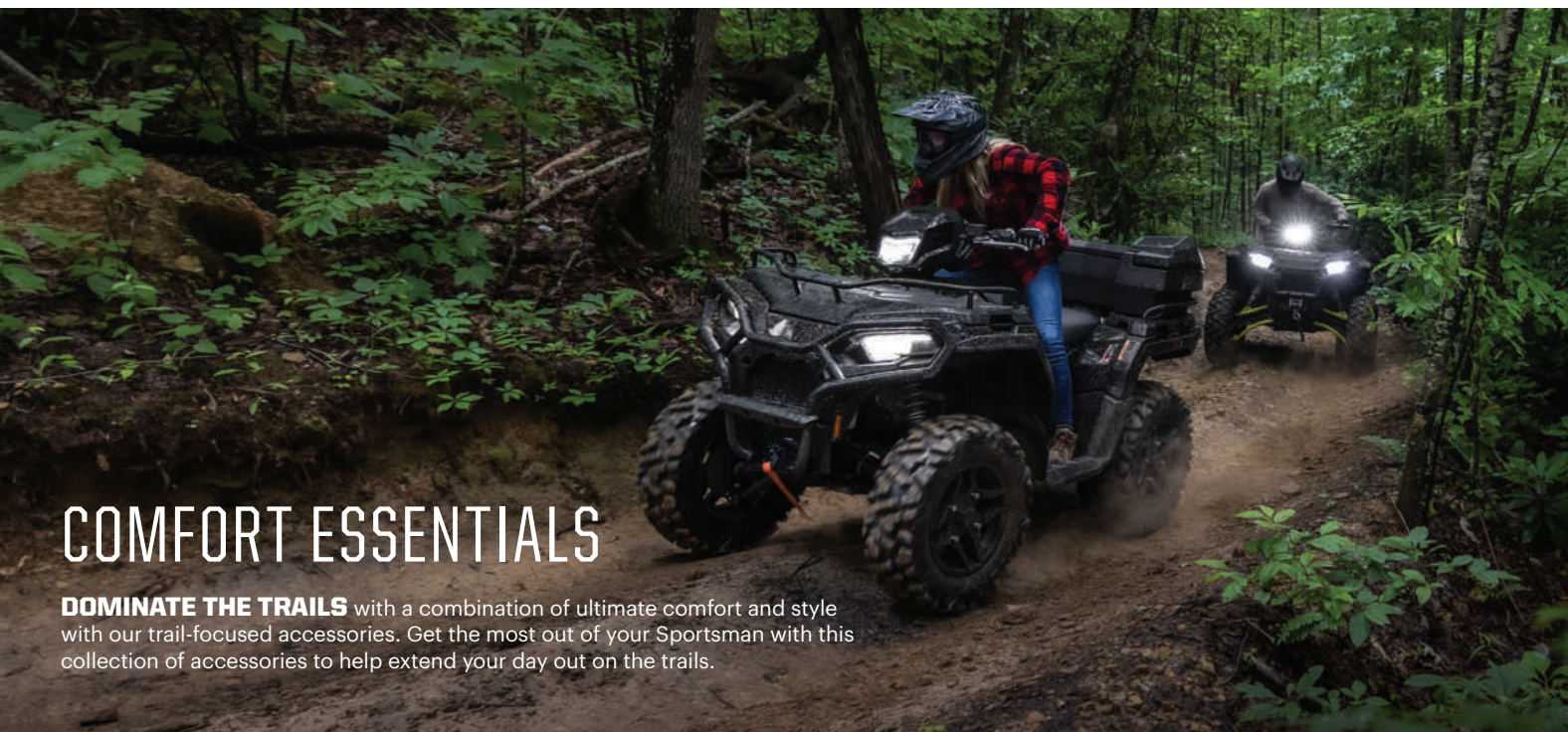
TOP SELLER
2884832

TOP SELLER
2880432

2889469

2889471

2883580



COMFORT ESSENTIALS

DOMINATE THE TRAILS with a combination of ultimate comfort and style with our trail-focused accessories. Get the most out of your Sportsman with this collection of accessories to help extend your day out on the trails.

Polaris Pro HD 1,588 kg Winch	P. 12	LED Light Kit	P. 14	Pro Armor Wheel & Tire Set: Dual Threat/4202	P. 41
Trail Brushguard	P. 12	Rear Power Harness	P. 14	Lug Nuts	P. 41
Rear Brushguard	P. 12	LOCK & RIDE Rear Audio Storage Box	P. 15	RIGID D-Series Pro Driving LED Light	P. 42
Rear Rack Extender	P. 13	Audio Storage Box Remote	P. 15	Lightbar Harness	P. 43
Handguards	P. 14	Pod Bag	P. 15	LED Y-Harness	P. 43
Handguard Mount	P. 14	Fender Bag	P. 15		



HUNTER

MAKE YOUR SPORTSMAN YOUR NEW FAVORITE HUNTING PARTNER. Navigate the trail and rough terrain with your hunting gear secure. Our unrivaled collection of hunt accessories gives you even more reasons to get out — and stay out riding.

Polaris HD 1,588 kg Winch	P. 12	LOCK & RIDE Tall Windshield	P. 16	Lightbar Harness	P. 43
HD Front Brushguard with Hitch	P. 12	Pro Armor Wheel & Tire Set: Mud XC/4205	P. 41	Gun Boot L	P. 44
Rear Rack Extender	P. 13	Lug Nuts	P. 41	Stronghold Auto-Latch Mount	P. 44
Hand & Thumb Warmer Kit	P. 14	RIGID SR-Series 25.4 cm Combo LED Light	P. 43	LOCK & RIDE Rhino Grip Pro	P. 45

WORK HARD AND GET IT DONE with Polaris Engineered Accessories. Find everything you need to outfit your trusted partner for the task at hand.



WORKER

CONQUER THE TOUGHEST OUTDOOR TASKS with the capabilities of your Sportsman. Haul your tools, gear, and more with our utility-focused accessories, designed to help you get the job done around your property, farm, or ranch.

Polaris HD 1,134 kg Winch	P. 12	Rear Rack Extender	P. 13	LOCK & RIDE Open Cargo Box	P. 14
Rear Brushguard	P. 12	Front Utility Rack	P. 13	LOCK & RIDE Mid Windshield	P. 14
HD Front Brushguard with Hitch	P. 12	Rear Utility Rack	P. 13	Pro Armor Wheel & Tire Set: Harvester/4204	P. 41
Body Armor	P. 13	Rear Power Harness	P. 14	Lug Nuts	P. 41



WINTER

GET MORE DONE with your Sportsman no matter what season it is. Conquer the toughest winter chores with our winter accessories to maximize comfort while plowing more snow in colder weather.

Polaris Pro HD 1,588 kg Winch	P. 12	LOCK & RIDE Rear Cargo Box	P. 15	Glacier Pro Plow Blade - 167.6 cm Poly	P. 33
HD Front Brushguard with Hitch	P. 12	LOCK & RIDE Tall Windshield	P. 16	RIGID SR-Series 25.4 cm Combo LED Light	P. 43
Rear Rack Extender	P. 13	Glacier Integrated Plow Mount	P. 33	Lightbar Harness	P. 43
Hand & Thumb Warmer Kit	P. 14	Glacier Pro Steel ATV Plow Frame	P. 33		

SPORTSMAN 570



WINCHES

POLARIS PRO HD 1,588 kg WINCH TOP SELLER

- Adds 1,588 kg of pulling capacity with Auto Stop Technology for plowing applications
- Rapid Rope Recovery recovers open cable 5x as fast as standard mode on other Polaris winches

» 2884834
SPORTSMAN 450/570 '21-23



LEARN MORE
P. 8

POLARIS HD 1,588 kg WINCH TOP SELLER

- Adds 1,588 kg of pulling capacity with quick and easy installation
- Includes all components required for installation plus 15m of .5 cm premium high-strength synthetic rope

» 2884833
SPORTSMAN 450/570 '21-23



POLARIS HD 1,134 kg WINCH TOP SELLER

- Adds 1,134 kg of pulling capacity with quick and easy installation
- Includes all components required for installation plus 15m of .5 cm high-strength steel cable

» 2884832
SPORTSMAN 450/570 '21-23



NEED A PLOW? SEE P. 32

PROTECTION

TRAIL BRUSHGUARD TOP SELLER

- Provides enhanced protection from brush and debris
- Has designated light bar holes and is compatible with winch and Body Armor

» 2884844
SPORTSMAN 450/570 '21-23



REAR BRUSHGUARD TOP SELLER

- Protect your vehicle from brush, sticks, rocks and light bumps into solid objects
- Made of sturdy 3.2 cm steel tube with a matte black finish

» 2884847
SPORTSMAN 450/570 '21-23
5270585-458 NEEDED TO MOUNT REAR LICENSE PLATE



HD FRONT BRUSHGUARD WITH HITCH

- Adds heavy-duty protection with a custom look
- Has designated light bar holes and is compatible with winch and Body Armor
- Standard front receiver hitch for additional functionality

» 2884850
SPORTSMAN 450/570 '21-23



NEW BOOT GUARDS

- Made from High Density Poly Ethylene (HDPE)
- Comes with two front guards, one for the left and right
- Protects the CV boot

» 2890059
SPORTSMAN 450/570 '21-23



BODY ARMOR

- Provides extra protection to your ATV's full body and fenders

» 2884851
SPORTSMAN 450/570 '21-23
FRONT BUMPER (2884850 OR 2884844) REQUIRED FOR INSTALLATION
DOES NOT WORK WITH KOLPIN STRONGHOLD® AUTO-LATCH GUN MOUNT (2884846)



SKID PLATE

- Built to be tough from 10mm thick High Density Poly Ethylene (HDPE)

» 2884852
SPORTSMAN 450/570 '21-23

RACKS

NEW CARGO RACK

- Provides extra storage and a sturdy platform for securing items to the back of your ATV
- Replaces your stock rear bumper while increasing your rack size by 33%
- Virtually limitless number of tie-down points
- Has a steel matte black finish

» 2890037
SPORTSMAN 450/570 '21-23
WILL NOT WORK WITH REAR BUMPER.
SERVES AS REAR BUMPER / REAR CARGO RACK



REAR RACK EXTENDER TOP SELLER

- Forms a 7.6 cm tall perimeter around the rear cargo rack to keep gear secure which maximizes your cargo capabilities
- Durable steel construction provides a sturdy tie down anchor for loose gear
- Compatible with Cargo Boxes and Rear Utility Rack

» 2884841
SPORTSMAN 450/570 '21-23



FRONT UTILITY RACK TOP SELLER

- Tubular steel rack that attaches on top of front plastic rack providing protection and multiple tie down points
- 1.9 cm diameter matte black steel tube

» 2884842
SPORTSMAN 450/570 '21-23, EXCEPT '21 AND PRIOR 6X6, X2 AND TOUR MODELS
DOES NOT WORK WITH KOLPIN STRONGHOLD® AUTO-LATCH GUN MOUNT (2884846)



REAR UTILITY RACK TOP SELLER

- Replaces rear plastic rack with a strong flat steel rack with integrated tie down points
- Works with all Lock & Ride accessories, rack extenders, and gun mounts

» 2884843
SPORTSMAN 450/570 '21-23



SPORTSMAN 570



COMFORT



HANDGUARDS

- BRIGHT WHITE** 2876883
- BLACK** TOP SELLER 2876846
- INDY RED** 2876845

- Handguard Mount (2889341) is required when installing Polaris Handguards
- Does not fit with windshields or Handlebar Mounted Mirrors

» 2889341 • MOUNT
SPORTSMAN 450/570 '21-23



HAND & THUMB WARMER KIT TOP SELLER

- Provides heat to grips and throttle and is easily installed by plugging into pod
- Includes two heated grips and one throttle warmer

» 2885002
SPORTSMAN 450/570 '21-23



HANDLEBAR MOUNTED MIRRORS TOP SELLER

- Enhances visibility of what's behind you for added safety
- Sold as a pair
- Does not fit with windshields or Handguards

» 2877222
SPORTSMAN 450/570 '21-23



LED LIGHT KIT

- Upgrade your standard headlights and pod lights to LEDs with this upgrade kit

» 2884859
SPORTSMAN 450/570 '21-23

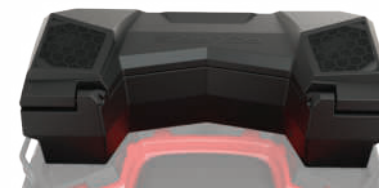


REAR POWER HARNESS

- Provides power to the rear of the ATV for electrical accessories including Rear Audio Storage Box

» 2889070
SPORTSMAN 450/570 '21-23

AUDIO



LOCK & RIDE REAR AUDIO STORAGE BOX

- Dual 15.2 cm speakers by Rockford Fosgate that connect via Bluetooth
- Mounts easily with Lock & Ride to the rear rack and is compatible with rack extenders, utility rack, and gun mount
- Rest easy knowing that your speakers are protected with a sealed-lid container
- Rear Power Harness required for installation (2889070)

» 2884856
SPORTSMAN 450/570 '21-23

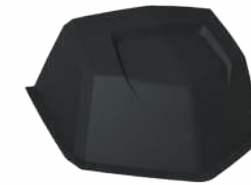


AUDIO STORAGE BOX REMOTE

- Easily control the volume or switch to the next song on your Rear Audio Storage Box
- Conveniently mounts to your ATV's handlebars

» 2884987
SPORTSMAN 450/570 '21-23

STORAGE



POD BAG

- Keep your essentials in reach with 2 Liters of storage capacity
- Mounts to the top of the light pod with HD Velcro
- Semi-rigid construction and PU Laminated EVA material keeps belongings protected from the elements
- Compatible with windshields

» 2889286
SPORTSMAN 450/570 '21-23



UNDERSEAT BAG

- Provides an extra 8.3 Liters of storage capacity
- Mounts directly under your seat via a Velcro wrap
- Durable semi-rigid construction keeps items protected

» 2889454
SPORTSMAN 450/570 '21-23



LOCK & RIDE REAR CARGO BOX

- Increase your storage with an extra 80.4 liters of dry, dust-proof storage
- Mounts easily with Lock & Ride to the rear rack and is compatible with rack extenders, utility rack, and gun mount
- Includes 2 padlock locations

» 2884853
SPORTSMAN 450/570 '21-23



FENDER BAG

- Provides easy-access 8.3 Liters of storage
- Mounts to the front left fender with HD Velcro
- Semi-rigid construction and PU Laminated EVA material keeps belongings protected from the elements

» 2889287
SPORTSMAN 450/570 '21-23



REAR RACK EXTENDER BAGS

- Three bags included (Rear Rack Extender sold separately)
- Mounts to Rear Rack Extender with HD Velcro
- Add a convenient 1 Liter of storage without sacrificing the rear rack
- Made to withstand the elements and wear with durable ballistic nylon construction (1680 Nylon and 600D SPD)
- Rear Rack Extender (2884841) is required

» 2889411
SPORTSMAN 450/570 '21-23

LOCK & RIDE OPEN CARGO BOX

- Increase your storage with an extra 83.3 liters of convenient storage space
- Mounts easily with Lock & Ride to the rear rack and is compatible with rack extenders, utility rack, and gun mount
- Holds two 18.9-liter buckets with integrated grab handle to make it easy to carry and transport cargo
- 12 convenient tie-down locations to secure cargo

» 2884854
SPORTSMAN 450/570 '21-23



LOCK & RIDE REAR COOLER BOX

- Increase your storage with an extra 46 quarts of weather resistant cooler storage
- Mounts easily with Lock & Ride to the rear rack and is compatible with rack extenders, utility rack, and gun mount
- Integrated bottle opener and 2 padlock locations

» 2884857
SPORTSMAN 450/570 '21-23



SPORTSMAN 570



DO MORE

WINDSHIELDS



Tall 48.9 cm Clear
2884945



Mid 39.4 cm Clear
2884845



Short 24.1 cm Clear
2884946

LOCK & RIDE WINDSHIELDS

- Lock & Ride technology allows for easy installation and removal in seconds without tools
- Poly windshields are flexible, impact-resistant, and provide long-term value over the life of your machine
- Two heights available for whatever coverage you prefer
- Does not work with Handguards or Handlebar Mounted Mirrors

SIZE	COLOR	PART #
TALL 48.9 cm	CLEAR	2884945
MID 39.4 cm	CLEAR	2884845
SHORT 24.1 cm	CLEAR	2884946

SPORTSMAN 450/570 '21-'23



PLOWS P.32



WHEELS & TIRES P.36



LIGHTING P.42



HUNT P.44



SPORTSMAN

2014-2023
570 x2

2014-2023
570 6X6

570 TOURING



WINCHES

POLARIS HD 1,588 kg WINCH TOP SELLER

» 2880434
X2 570 '15-23, TOURING 570 '14-23, 6X6 570 '17-23



POLARIS HD 1,134 kg WINCH TOP SELLER

» 2880432
X2 570 '15-23, TOURING 570 '14-23, 6X6 570 '17-23



NEED A PLOW? SEE P. 32

STORAGE



SEMI-RIGID TOURING CARGO BAG

- Large-capacity, heavy-duty vinyl bag
- Three zippered openings, removable dividers
- Attaches to rack with Velcro straps

» 2877220
TOURING 570 '14-23

COMFORT



HAND WARMERS TOP SELLER

» 2877363
X2 570 '15-23, TOURING 570 '14-23, 6X6 570 '17-23



THROTTLE/THUMB WARMER TOP SELLER

» 2877364
X2 570 '15-23, TOURING 570 '14-23, 6X6 570 '17-23

HANDGUARDS

- BRIGHT WHITE 2876883
- BLACK TOP SELLER 2876846
- INDY RED 2876845

- Handguard Mount (2889341) is required when installing Polaris Handguards
- Does not fit with windshields or Handlebar Mounted Mirrors

» 2889341 • MOUNT
X2 570 '15-23, TOURING 570 '14-23, 6X6 570 '17-23



HANDLEBAR MOUNTED MIRRORS TOP SELLER

- Enhances visibility of what's behind you for added safety
- Sold as a pair
- Does not fit with Windshield Fairing or Handguards

» 2877222
X2 570 '15-23, TOURING '570 14-22, 6X6 570 '17-23

PROTECTION, RACKS & WINDSHIELDS



FRONT BRUSHGUARD TOP SELLER

» 2879714
X2 570 '15-23, TOURING 570 '14-23, 6X6 570 '17-23



REAR BRUSHGUARD

» 2879715
TOURING 570 '14-23



ULTIMATE SERIES FRONT RACK EXTENDER 10.2 CM TOP SELLER

» 2879716
X2 570 '15-23, TOURING 570 '14-23, 6X6 570 '17-23



LOCK & RIDE YUKON ADVENTURE RACK

- Adds increased storage volume by allowing you to increase storage height securely

» 2882084
6X6 570 '17-23

LOCK & RIDE WINDSHIELDS

- Lock & Ride technology allows for easy installation and removal in seconds without tools
- Poly windshields are flexible, impact-resistant, and provide long-term value over the life of your machine
- Does not work with Handguards

SIZE	COLOR	PART #
TALL 48.9 cm	CLEAR	2880539-409
MID 39.4 cm	SMOKE	2880540-412

X2 570 '18-21, TOURING 570 '18-22



Tall 48.9 cm Clear



Mid 39.4 cm Smoke

COMFORT ESSENTIALS



Polaris Pro HD 1,588 kg Winch	P. 22	LOCK & RIDE Rear Audio Storage Box	P. 25	Pro Armor Wheel & Tire Set: Dual Threat/4202	P. 41
Ultimate Series Rear Rack Extender	P. 22	Audio Storage Box Remote	P. 25	Lug Nuts	P. 41
Ultimate Series Front Brushguard	P. 23	Handguards	P. 25	RIGID D-Series Pro Driving LED Light	P. 42
Ultimate Series Rear Brushguard	P. 23	Handguard Mount	P. 25	Lightbar Harness	P. 43
Pod Bag	P. 24	Rear Power Harness	P. 25	LED Y-Harness	P. 43

WORKER



Polaris HD 1,134 kg Winch	P. 22	Ultimate Series Rear Brushguard	P. 23	LOCK & RIDE Mid Windshield	P. 26
Ultimate Series Rear Rack Extender	P. 22	Ultimate Series Body Armor	P. 23	Pro Armor Wheel & Tire Set: Harvester/4204	P. 41
Ultimate Series Front Steel Rack	P. 23	LOCK & RIDE Open Cargo Box	P. 24	Lug Nuts	P. 41
Ultimate Series Front Brushguard	P. 23	Rear Power Harness	P. 25		

HUNTER



Polaris HD 1,588 kg Winch	P. 22	LOCK & RIDE Tall Windshield	P. 26	Lightbar Harness	P. 43
Ultimate Series Rear Rack Extender	P. 22	Pro Armor Wheel & Tire Set: Mud XC/4205	P. 41	Gun Boot L	P. 44
Ultimate Series Front Brushguard	P. 23	Lug Nuts	P. 41	Stronghold Auto-Latch Mount	P. 44
Hand & Thumb Warmer Kit	P. 25	RIGID SR-Series 25.4 cm Combo LED Light	P. 43	LOCK & RIDE Rhino Grip Pro	P. 45

WINTER



Polaris Pro HD 1,588 kg Winch	P. 22	Hand & Thumb Warmer Kit	P. 25	Glacier Pro Plow Blade - 167.6 cm Poly	P. 35
Ultimate Series Rear Rack Extender	P. 22	LOCK & RIDE Tall Windshield	P. 26	RIGID SR-Series 25.4 cm Combo LED Light	P. 43
Ultimate Series Front Brushguard	P. 23	Glacier Integrated Plow Mount	P. 33	Lightbar Harness	P. 43
LOCK & RIDE Rear Cargo Box	P. 24	Glacier Pro Steel ATV Plow Frame	P. 33		

SPORTSMAN XP 1000 XP 1000 S



WINCHES

POLARIS PRO HD 1,588 kg WINCH

» 2883580

SPORTSMAN XP 1000 S '20-23

» 2889471

SPORTSMAN 850 '12-23, SPORTSMAN XP 1000 '15-23,
SPORTSMAN TOURING XP 1000 '15-23,
SPORTSMAN TOURING 850 '15-23



RAPID ROPE RECOVERY **5X**
FASTER

LEARN MORE

P. 8

POLARIS HD 1,588 kg WINCH

» 2889470

SPORTSMAN 850 '12-23, SPORTSMAN XP 1000 '15-23,
SPORTSMAN TOURING XP 1000 '15-23,
SPORTSMAN TOURING 850 '15-23



POLARIS HD 1,134 kg WINCH

» 2889469

SPORTSMAN 850 '12-23, SPORTSMAN XP 1000 '15-23,
SPORTSMAN TOURING XP 1000 '15-23,
SPORTSMAN TOURING 850 '15-23



NEED A PLOW? SEE P. 32

RACKS

ULTIMATE SERIES RACK EXTENDER 10.2 cm

FRONT

» 2882022

SPORTSMAN XP 1000 S '20-23,
SPORTSMAN 850/1000 '17-23



REAR

» 2882023

SPORTSMAN XP 1000 S '20-23,
SPORTSMAN 850/1000 '17-23
FITS WITH REAR CARGO BOX (2882882)



ULTIMATE SERIES RACK EXTENDER 17.8 cm

FRONT

» 2882024

SPORTSMAN XP 1000 S '20-23,
SPORTSMAN 850/1000 '17-23
NOT SHOWN

REAR

» 2882025

SPORTSMAN XP 1000 S '20-23,
SPORTSMAN 850/1000 '17-23
DOES NOT FIT WITH REAR CARGO BOX (2882882)



FRONT RACK EXTENDER

» 2879890

SPORTSMAN 850/1000 TOURING '10-23
DOES NOT FIT WITH FRONT CARGO BOX (2877951)

ULTIMATE SERIES STEEL RACK

FRONT

» 2883257

SPORTSMAN XP 1000 S '20-23,
SPORTSMAN 850/1000 '17-23



FRONT

REAR

» 2883258

SPORTSMAN XP 1000 S '20-23,
SPORTSMAN 850/1000 '17-23



REAR

ULTIMATE SERIES MOVEABLE TIE-DOWN POINTS

» 2882270

(FRONT & REAR - SOLD IN PAIRS)
SPORTSMAN 850/1000 '17-23



PROTECTION



ULTIMATE SERIES BRUSHGUARD

• Quick installation to the integrated mounting tubes on the vehicle using wedge-style expansion anchor mounts

• Attach the Body Armor to the Front Brushguard to provide the ultimate protection for the front fenders

» 2882020 • FRONT **TOP SELLER**

SPORTSMAN XP 1000 S '20-23,
SPORTSMAN 850/1000 '17-23

» 2882583 • REAR **TOP SELLER**

SPORTSMAN XP 1000 S '20-23,
SPORTSMAN 850/1000 '17-23



ULTIMATE SERIES BODY ARMOR

• Securely mounts to Ultimate Series Sportsman XP Front Brushguard (2882020)

• Comes as pair

» 2882090

SPORTSMAN 850/1000 '17-23
DOES NOT WORK WITH GUN BOOT MOUNT (2882036)



TOURING XP BRUSHGUARD

• Adds heavy-duty protection and a custom look

» 2878709 • FRONT

SPORTSMAN 850/1000 TOURING '10-23

» 2878324 • REAR

SPORTSMAN 850/1000 TOURING '10-23

SPORTSMAN XP 1000 XP 1000 S



STORAGE



LOCK & RIDE REAR CARGO BOX

- Increase your storage with an extra 80.4 liters of dry, dust-proof storage
- Mounts easily with Lock & Ride to the rear rack and is compatible with rack extenders and gun mount
- Includes 2 padlock locations
- Will not fit when Ultimate Series Steel Rack is installed

» 2884853
SPORTSMAN XP 1000 S '20-23, SPORTSMAN 850/1000 '17-23



LOCK & RIDE OPEN CARGO BOX

- Increase your storage with an extra 83.3 liters of convenient storage space
- Mounts easily with Lock & Ride to the rear rack and is compatible with rack extenders and gun mount
- Holds 2, 18.9-liter buckets with integrated grab handle to make it easy to carry and transport cargo
- 12 convenient tie-down locations to secure cargo
- Includes 2 padlock locations
- Will not fit when Ultimate Series Steel Rack is installed

» 2884854
SPORTSMAN XP 1000 S '20-23, SPORTSMAN 850/1000 '17-23



LOCK & RIDE REAR COOLER BOX

- Increase your storage with an extra 46 quarts of weather-resistant cooler storage space
- Mounts easily with Lock & Ride to the rear rack and is compatible with rack extenders and gun mount
- Integrated bottle opener and 2 padlock locations
- Will not fit with Ultimate Series Steel Rack

» 2884857
SPORTSMAN XP 1000 S '20-23, SPORTSMAN 850/1000 '17-23

POD BAG

- Keep your essentials in reach with 2 Liters of storage capacity
- Mounts to the top of the light pod with HD Velcro
- Semi-rigid construction and PU Laminated EVA material keeps belongings protected from the elements
- Compatible with windshields

» 2889286
SPORTSMAN 850/1000 21-23



ULTIMATE SERIES READY PACK

- Keep your trail essentials at the ready with this easy-to-access, weather-resistant storage compartment

» 2882271
SPORTSMAN 850/1000 '17-23



LOCK & RIDE FRONT CARGO BOX

» 2877951
SPORTSMAN 850/1000 TOURING '10-23
FRONT RACK EXTENDER CANNOT BE INSTALLED AT THE SAME TIME AS FRONT CARGO BOX



LOCK & RIDE REAR STORAGE BOX

» 2878000
SPORTSMAN 850/1000 TOURING '10-23
SLIGHT INTERFERENCE WITH SPORTSMAN TOURING 550/850 '11-14 PASSENGER HANDLES
DOES NOT FIT '21 TOURING MODELS

AUDIO



LOCK & RIDE REAR AUDIO STORAGE BOX

- Dual 15.2 cm speakers by Rockford Fosgate that connect via Bluetooth
- Mounts easily with Lock & Ride to the rear rack and is compatible with rack extenders and gun mount
- Rest easy knowing that your speakers are protected with a sealed-lid container
- Rear Power Harness (2889071) is required, sold separately

» 2884856
SPORTSMAN XP 1000 S '20-23, SPORTSMAN 850/1000 '17-23



AUDIO STORAGE BOX REMOTE

- Easily control the volume or switch to the next song on your Rear Audio Storage Box
- Conveniently mounts to your ATV's handlebars

» 2884987
SPORTSMAN XP 1000 S '20-23, SPORTSMAN 850/1000 '17-23

COMFORT



HANDLEBAR MOUNTED MIRRORS TOP SELLER

- Enhances visibility of what's behind you for added safety
- Sold as a pair
- Does not fit with Windshield Fairing or Handguards

» 2877222
SPORTSMAN XP 1000 S '20-23, SPORTSMAN 850/1000 TOURING '10-23,
SPORTSMAN 850/1000 '09-23



HANDGUARDS

<input type="checkbox"/> BRIGHT WHITE	2876883
<input checked="" type="checkbox"/> BLACK <small>TOP SELLER</small>	2876846
<input checked="" type="checkbox"/> INDY RED	2876845

- Handguard Mount (2889341) is required when installing Polaris Handguards
- Does not fit with windshield or Handlebar Mounted Mirrors

» 2889341 • MOUNT
SPORTSMAN XP 1000 S '20-23, SPORTSMAN 850/1000 TOURING '10-23,
SPORTSMAN 850/1000 '09-23



REAR POWER HARNESS

- Provides power to the rear of the ATV for electrical accessories including Rear Audio Storage Box

» 2889071
SPORTSMAN XP 1000 S '20-23, SPORTSMAN XP 1000 '17-23, SPORTSMAN 850 '17-23



HAND & THUMB WARMER KIT TOP SELLER

- Provides heat to grips and throttle and is easily installed by plugging into pod
- Includes two heated grips and one throttle warmer

» 2885002
SPORTSMAN XP 1000 '20-23



HAND WARMERS TOP SELLER

» 2877363
SPORTSMAN XP 1000 S '20, SPORTSMAN XP 1000 '15-20,
SPORTSMAN 850 '15-20, SPORTSMAN TOURING XP 1000 '15-23,
SPORTSMAN TOURING 850 '15-23



THROTTLE/THUMB WARMERS TOP SELLER

» 2877364
SPORTSMAN XP 1000 S '20, SPORTSMAN XP 1000 '15-20,
SPORTSMAN 850 '15-20, SPORTSMAN TOURING XP 1000 '15-23,
SPORTSMAN TOURING 850 '15-23

SPORTSMAN XP 1000 XP 1000 S



DO MORE

WINDSHIELDS

LOCK & RIDE WINDSHIELDS

- Provides enhanced protection from the elements and off-road hazards
- Easily installs and removes without tools utilizing Lock & Ride technology
- Improved mounting system for easier and quicker attachment and detachment

SIZE	COLOR	PART #
TALL 48.9 cm	CLEAR	2884945
MID 39.4 cm	CLEAR	2884845
SHORT 24.1 cm	CLEAR	2884946

SPORTSMAN XP 1000 S '21-23, SPORTSMAN XP 1000 '21-23, SPORTSMAN 850 '21-23



Tall 48.9 cm Clear
2884945

Mid 39.4 cm Clear
2884845

Short 24.1 cm Clear
2884946

LOCK & RIDE WINDSHIELDS

- Installs and removes in seconds without tools with Lock & Ride technology
- Poly windshields are flexible, impact-resistant, and provide long-term value over the life of your machine
- Does not work with Handguards

SIZE	COLOR	PART #
TALL 48.9 cm	CLEAR	2880539-409
MID 39.4 cm	SMOKE	2880540-412

SPORTSMAN TOURING XP 1000 '15-23, SPORTSMAN TOURING 850 '15-23



Tall 48.9 cm Clear
2880539-409

Mid 39.4 cm Smoke
2880540-412

LOCK & RIDE ULTIMATE SERIES WINDSHIELD FAIRING

- Customizable system based on your style and protection needs
- Install the fairing to add one of the Ultimate Series Windshields below
- Does not work with Handguards or Handlebar Mounted Mirrors

» 2882512
SPORTSMAN XP 1000 S '20, SPORTSMAN XP 1000 '17-20, SPORTSMAN 850 '17-20



ULTIMATE SERIES WINDSHIELDS

- Fairing required to add your preferred windshield

SIZE	PART #
TALL 50.8 cm	2882152
MID 40.6 cm	2882151

SPORTSMAN XP 1000 S '20, SPORTSMAN XP 1000 '17-20, SPORTSMAN 850 '17-20



EASY TO CHANGE WINDSHIELDS WITH 6-DART INSTALL

Our fairing system allows for changing out the windshield quickly and easily. Simply remove the six dart-type fasteners and swap out the windshield.

DO MORE

PLOWS P. 32



WHEELS & TIRES P. 36



LIGHTING P. 42



HUNT P. 44



SCRAMBLER XP 1000 S



MISCELLANEOUS ACCESSORIES

COMFORT



HANDGUARD

- Handguard Mount (2889341) is required when installing Polaris Handguards
- Does not fit with windshield or Handlebar Mounted Mirrors

SPORTSMAN XP 1000 S '20-23, SPORTSMAN 850/1000 TOURING '10-23, SPORTSMAN 850/1000 '09-23

<input type="checkbox"/> BRIGHT WHITE	2876883
<input checked="" type="checkbox"/> BLACK <small>TOP SELLER</small>	2876846
<input type="checkbox"/> INDY RED	2876845

» 2889341 • MOUNT



RACKS/STORAGE



LARGE REAR RACK

» 2879139
SCRAMBLER XP 1000 S '20-23, SCRAMBLER XP 1000 '14-18, SCRAMBLER 850 '14-23
NOT COMPATIBLE WITH OGIO BAG (2879925)



OGIO BAG

» 2879925
SCRAMBLER XP 1000 S '20-23, SCRAMBLER XP 1000 '14-18, SCRAMBLER 850 '14-23

PROTECTION



ULTIMATE SPORT SERIES FRONT BRUSHGUARD

» 2883595
SCRAMBLER XP 1000 S '20-23



FRONT BRUSHGUARD

» 2879136
SCRAMBLER 850 '14-23, SCRAMBLER XP 1000 '14-18
REPLACES EXISTING LOWER BUMPER – WILL NOT WORK TOGETHER

WINCHES

POLARIS PRO HD 1,588 kg WINCH



» 2883580
SCRAMBLER XP 1000 S '20-23

» 2889471
SCRAMBLER 850 '14-23, SCRAMBLER XP 1000 '14-18

POLARIS HD 1,588 kg WINCH

» 2889470
SCRAMBLER 850 '14-23, SCRAMBLER XP 1000 '14-18



POLARIS HD 1,134 kg WINCH

» 2889469
SCRAMBLER 850 '14-23, SCRAMBLER XP 1000 '14-18



RIDE & REPAIR ESSENTIALS KIT

- 12-volt DC portable air compressor
- Tire repair kit with 6 plugs
- Basic first-aid kit with bandages, scissors, safety pins, and more
- 12-volt jumper cables
- Duct tape – 300mm x 1 roll
- Zip ties – 150mm length
- Electrical tape
- Ratchet strap – 50mm
- Microfiber cloth
- Carry bag
- » 2881207



QUICKTAP BATTERY POSTS

- Easy-to-access terminal posts give you quick access to the battery power
- Ideal for charging your battery, powering a temporary accessory, or when you need to offer an unexpected jump-start
- Connection posts feature covers to protect terminals when not in use
- » 2882110



ATV LICENSE PLATE

- Includes numbers and letters
- » 2873270

TRAILERING AND RECOVERY STRAPS

SEE P. 59

YOUTH ATV OUTLAW 70 EFI

THE PERFECT FIRST ALL-TERRAIN VEHICLE FOR
KIDS STARTING AT 6 YEARS AND OLDER



FRONT BRUSHGUARD

- Provides enhanced protection from brush and other debris on the trail

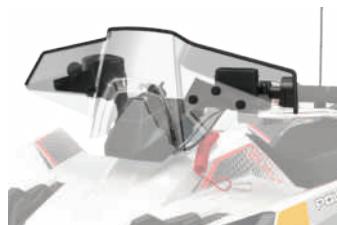
» 2884567
OUTLAW 70 EFI '21-23



REAR BRUSHGUARD

- Protect the rear of your youth ATV from hazards on the trails

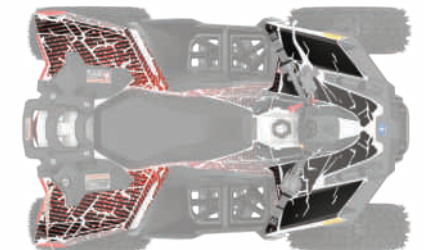
» 2884778
OUTLAW 70 EFI '21-23



WINDSHIELD - POLY

- Added wind and hand protection with a durable poly design

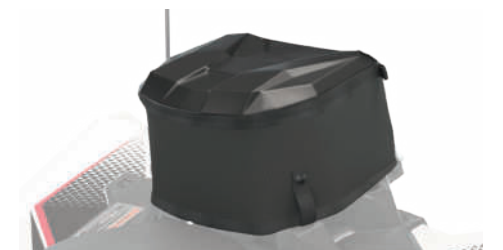
» 2885005
OUTLAW 70 EFI '21-23



DECAL KIT - INDY RED

- Replaces the stock Outlaw 70 decals to provide a unique and custom look for your youth ATV

» 2885107
OUTLAW 70 EFI '21-23



REAR STORAGE BAG

- Convenient storage that easily connects to the rear rack

» 2884555
OUTLAW 70 EFI '21-23

Images taken on private land. The use of vehicles by youth in similar environments in your jurisdiction may be prohibited per locally applicable laws and regulations. Keep your children safe and make sure an adult exercises close supervision at all times.

GLACIER[®] PLOW SYSTEM

TAKE COMMAND OF CLEARING SNOW AND MAKE QUICK WORK OF EVEN THE HEAVIEST JOBS.



THE POLARIS ENGINEERED ADVANTAGE

INSTALLATION

30 seconds: Drive up, clip in, lock down, and go — the integrated Polaris Engineered Glacier Plow System simplifies plowing.



CONVENIENCE

Lift and angle adjustments can be made from the driver's seat.

ANGLE YOUR BLADE RIGHT FROM YOUR SEAT with the Glacier Pro plow hydraulic angle system



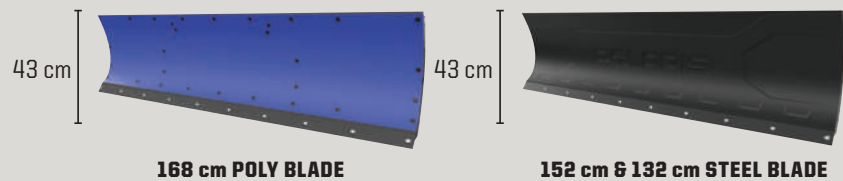
ROBUST FRAME

A plow system is only as strong as its frame, and Polaris Engineered plow frames have a wide frame to withstand the rigors of heavy plowing.



DURABLE BLADES

Available in strong stamped steel or corrosion-resistant poly materials, Polaris Engineered plow blades cover a large surface area for quick snow removal.



PLOW SYSTEMS (WINCH REQUIRED, SOLD SEPARATELY)

Choose a Glacier Plow System, designed to help you get the most out of your Sportsman during snowy months. Select a system based on your plowing needs with premium add-ons including a hydraulic lift system or additional plow accessories.

GLACIER PRO HD PLOW SYSTEM WITH HYDRAULICS

- System includes:
- Mount (2881424)
 - Frame (2879630)
 - 167.64 cm Poly Plow (2880269)
 - Hydraulic Angle (2879635)
 - Hydraulic Controller (2880836)
 - Plow Markers (2872726)
 - Plow Deflector (2879866)
- » **3880010**
450 '15-23, 570 '15-23, 6X6 570 '17-23, X2 570 '15-23, 570 TOURING '15-22
REQUIRES LIFT METHOD: SEE WINCHES BELOW

GLACIER PRO HD PLOW SYSTEM

- System includes:
- Mount (2881424)
 - Frame (2879630)
 - 152.4 cm Steel Plow (2879638)
- » **3880011**
450 '15-23, 570 '15-23, 6X6 570 '17-23, X2 570 '15-23, 570 TOURING '15-22
REQUIRES LIFT METHOD: SEE WINCHES BELOW

GLACIER PRO HD PLOW SYSTEM WITH HYDRAULICS

- System includes:
- Mount (2881423)
 - Frame (2879630)
 - 167.64 cm Poly Plow (2880269)
 - Hydraulic Angle (2879635)
 - Hydraulic Controller (2880836)
 - Plow Markers (2872726)
 - Plow Deflector (2879866)
- » **3880012**
XP 1000 '15-23, 850 '15-23, TOURING 1000 '15-23, TOURING 850 '15-23, SCRAMBLER 850 '15-23
REQUIRES LIFT METHOD: SEE WINCHES BELOW

GLACIER PRO HD PLOW SYSTEM

- System includes:
- Mount (2881423)
 - Frame (2879630)
 - 152.4 cm Steel Plow (2879638)
- » **3880013**
XP 1000 '15-23, 850 '15-23, TOURING 1000 '15-23, TOURING 850 '15-23, SCRAMBLER 850 '15-23
REQUIRES LIFT METHOD: SEE WINCHES BELOW

ADD HYDRAULICS

CONTROL FROM THE PALM OF YOUR HAND

Change the angle of the plow blade with the Power Controller.

NEED TRACKS?

SEE P. 34

GLACIER PRO HD GIVES YOU: 168 cm, 152 cm or 132 cm Blades | Choice of poly or steel | Ability to add a hydraulic angle system

MODELS	MANDATORY STEPS			OPTIONAL	
	STEP 1 SELECT A MOUNT	STEP 2 SELECT A FRAME	STEP 3 SELECT PLOW CONFIGURATION	BLADES	STEP 4 ADD HYDRAULICS
XP 1000 '15-23 850 '15-23 850/XP 1000 HIGHLIFTER '16-23 TOURING XP 1000 '15-23 TOURING 850 '10-23 SCRAMBLER 850 '14-23	2881423	2879630	Polaris Pro HD 1,588 kg Winch 2889471 Polaris HD 1,588 kg Winch 2889470 Polaris HD 1,134 kg Winch 2889469	168 cm Poly 2880269 152 cm Steel 2879638 132 cm Steel 2879639	Hydraulic Plow Blade Angle System 2879635 Power Controller 2880836 POWER CONTROLLER RECOMMENDED
XP 1000 S '20-23 SCRAMBLER XP 1000 S '20-23	2883581		Polaris Pro HD 1,588 kg Winch 2883580		
570 '15-20 6X6 570 '17-23 X2 570 '15-23 TOURING 570 '14-23 450 H.O. '12-20	2881424		Polaris HD 1,588 kg Winch 2880434 Polaris HD 1,134 kg Winch 2880432		
570 '21-23 450 H.O. '21-22	2881424		Polaris Pro HD 1,588 kg Winch 2884834 Polaris HD 1,588 kg Winch 2884833 Polaris HD 1,588 kg Winch 2884832		

**STEP 5
SELECT ACCESSORIES AND REPLACEMENT ITEMS**

168 cm HD Wear Bar 2879868 168 cm Wear Bar 2879867 152 cm Wear Bar 2877243 132 cm Wear Bar 2877210	168 cm Plow Blade Snow Deflector 2879866 Plow Blade Deflector 2871808 Skid Shoe 2208864 Glacier Pro Shear Pin Replacement 2205063 Coil Spring Spacer 2872655	Plow Winch Rope For 1,134 kg & 1,588 kg winches 2878483 Glacier Plow Marker Sold in pairs 2872726 Rear Tire Chains Recommended for rear tires only 2881422 Plow Blade Track Extension Required for track equipped vehicles 2879719
---	--	---

CHOOSE A PLOW SYSTEM

BUILD A PLOW SYSTEM

COMMON
WINCHES
570
XP 1000 • XP 1000 S
SCRAMBLER XP 1000 S
MISC & YOUTH
PLOW & TRACKS
WHEELS & TIRES
LIGHTING
HUNT & COOLERS

ALL-TERRAIN TRACTION

It's tough to make Sportsman even more versatile than it already is. But with a set of Prospector Pro Tracks, you'll do just that. Tread through deep snow without concern.

Polaris-specific gearing provides 1:1 ratio to:

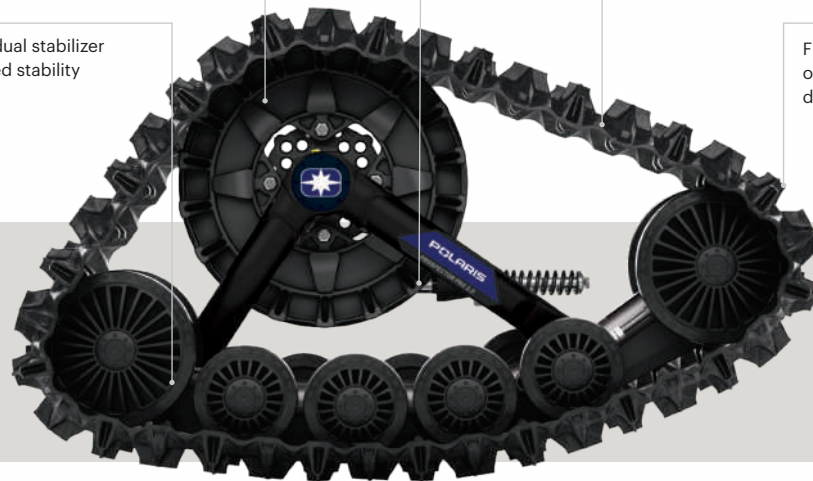
- Minimize track slip, providing better climbing ability and improved traction in deep snow
- Improve top speed over prior models by approximately 5%
- Reduce operating RPM for a quieter ride
- Improve driveline durability, which allows vehicle to run at a lower RPM, decreasing engine wear

Polaris exclusive optimized hub geometry that minimizes feedback and eases steering effort

Lightweight design provides for better flotation, eases steering effort, and provides better vehicle control

New front dual stabilizer for improved stability

Flexible lug design provides the highest level of deep snow performance by lifting up in deep snow as opposed to digging down



PROSPECTOR PRO 2.0 TRACK SYSTEM

STEP 1: SELECT A MOUNT KIT			STEP 2: SELECT A TRACK KIT		
MODELS	A-ARMS	MOUNT KIT	MODELS	EPS	TRACK KIT
SPORTSMAN XP 1000/850 '15-23 SPORTSMAN TOURING XP 1000/850 '15-23	STRAIGHT	2879457	SPORTSMAN 570 '15-23 SPORTSMAN TOURING 570 '15-23 SPORTSMAN X2 570 '15-23	YES	2889493
SPORTSMAN XP 1000/850 '16-23 HIGHLIFTER 1000/850 '16-23	ARCHED	2882109	SPORTSMAN XP 1000/850 '15-23 SPORTSMAN TOURING XP 1000/850 '17-23 HIGHLIFTER 1000 '16-23 SPORTSMAN XP 1000 S '20-23 SCRAMBLER XP 1000 S '20-23	YES	2889495
SPORTSMAN XP 1000 S '20-23 SCRAMBLER XP 1000 S '20-23	ARCHED	2883977	SPORTSMAN 570 '14-23 SPORTSMAN TOURING 570 '15-23	NO	2889492
SPORTSMAN 570 '21-23	ARCHED	2889218	SPORTSMAN XP 1000 '18-23 SPORTSMAN 850 '15-23 SCRAMBLER 850 '13-23	NO	2889494
SPORTSMAN 570 '21-23	STRAIGHT	2889219			
SPORTSMAN 570 '15-23 SPORTSMAN TOURING 570 '15-23 SPORTSMAN X2 570 '15-23	STRAIGHT	2879497			

TRACK AND MOUNT KIT		
MODELS	EPS	TRACK AND MOUNT KIT
SPORTSMAN 570 6X6 '17-23	YES	2882169

WANT TO PLOW?

GLACIER PRO PLOW TRACK EXTENSION

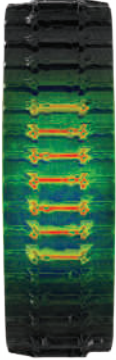
- Plow extension for use when using the Prospector Pro Track System and Glacier Pro Sportsman plow system

» 2879719

FOR USE WITH GLACIER PRO PLOW SYSTEMS



SPORTSMAN SNOW TRACTION OPTIONS

TREAD THROUGH SNOW WITH THESE OPTIONS	CONTACT PATCH	TURNING RADIUS
 <p>STOCK TIRES</p>	<p>GOOD</p> 	<p>354.3 cm</p> 
 <p>PRO ARMOR WHITEOUT</p>	<p>BETTER</p>  <p>More surface area for better flotation on snow</p>	<p>352.743 cm</p> 
 <p>PROSPECTOR PRO 2.0 TRACKS</p>	<p>BEST</p>  <p>Less aggressive tread displaces snow for better handling</p>	<p>445.453 cm</p> 

KNOW YOUR TERRAIN



- Tread patterns optimized for extreme traction
- Ideal for both hard pack and loose trail



- Flexible "grippy" tread
- Aggressive side bite



- Provides traction and durability
- Built to perform in hard sand, jagged rocks or any other extreme terrain



- Extra deep treads
- Self-cleaning lugs



- Paddles provide traction and durability in soft sand
- Built to float on top of sand



- Triple-belted sidewalls to resist puncture
- Purpose-built, long lasting tread patterns



- Handles extreme cold
- Holds shape and provides traction

SUPERIOR PERFORMANCE & DURABILITY

WAYS TO SHOP WHEELS & TIRES



LIFELONG PERFORMANCE

- Every tire is designed and constructed with longevity in mind
- 3,000+ mile rated (4,828 kilometers)

PREMIUM PROTECTION

- Pro Armor makes tires with extra protection exactly where it's needed most — the sidewall
- Triple-belted sidewalls keep your tires more resistant so you can keep going

TOUGH TIRES

- Higher ply ratings mean added protection
- Pro Armor builds 8 or 10-ply rated tires for higher puncture-resistance



KNOW YOUR TIRES

DIMENSIONS			TREAD DEPTH	TIRE WEIGHT	PLY RATING	SIDEWALL BELTS	LOAD RATING
TIRE HEIGHT	TIRE WIDTH	WHEEL DIAMETER					
32" x 9" R15	FRONT/REAR	30 mm	18 kg	10	3	499 kg	
Part Number							
USAGE Where can you use the tire			TREAD DEPTH Deeper treads have more grip in all conditions	TIRE WEIGHT A lighter tire makes for improved vehicle performance	PLY RATING Indicates tire puncture-resistance	SIDEWALL BELTS Increase your resistance to sidewall punctures	LOAD RATING How much weight can the tire handle

TIRES BY SIZE

26"	27"
ATTACK	HARVESTER
DUAL-THREAT	MUD XC
HARVESTER	PRESERVE
PRESERVE	WHITEOUT
XD-K	X TERRAIN

TIRES BY TERRAIN

TRAIL	ROCK	DESERT	MUD	UTILITY	SNOW
ATTACK	ATTACK	ATTACK	MUD XC	ATTACK	ATTACK
DUAL-THREAT	DUAL-THREAT	DUAL-THREAT		HARVESTER	HARVESTER
HARVESTER				PRESERVE	PRESERVE
MUD XC				XD-K	XD-K
PRESERVE				X TERRAIN	WHITEOUT
X TERRAIN					
XD-K					

TIRES



PRO ARMOR DUAL-THREAT

- Dual-compound technology and radial construction offer performance in all terrains
- Softer durometer rubber on outer edge for overall superior grip and feel
- Harder durometer rubber in the middle for increase traction during acceleration and longer tread life

	TREAD DEPTH	TIRE WEIGHT	PLY RATING	SIDEWALL BELTS	LOAD RATING
14" 26" x 9" R14 5416340	16 mm	12 kg	10	3	413 kg
14" 26" x 11" R14 5416341		14 kg			504 kg



PRO ARMOR ATTACK

- The best all-purpose tire for all-season traction in any terrain
- Unique full-face tread design
- Harder durometer lugs promote extended wear, increasing tire life

	TREAD DEPTH	TIRE WEIGHT	PLY RATING	SIDEWALL BELTS	LOAD RATING
14" 26" x 9" R14 5415613	23 mm	13 kg	8	3	413 kg
14" 26" x 11" R14 5415614		15 kg			599 kg



For off-road use only. Please check fitment with your dealer.

COMMON

WINCHES

570

XP 1000 • XP 1000 S

SCRAMBLER XP 1000 S

MISC 8 YOUTH

PLOW & TRACKS

WHEELS & TIRES

LIGHTING

HUNT & COOLERS

37

36

TIRES



PRO ARMOR HARVESTER

- All-around workhorse with tread life of 8,047 kilometers
- Tread pattern designed to withstand anything from the farmyard to the pastures to the trail
- With 10-ply, it can carry the load day-in and day-out

	TREAD DEPTH	TIRE WEIGHT	PLY RATING	SIDEWALL BELTS	LOAD RATING		
12"	26" x 8" R12 5416396	FRONT	11 kg		388 kg		
12"	26" x 10" R12 5415966	REAR	16 mm	15 kg	10	3	615 kg
14"	27" x 10" R14 5415965	FRONT/ REAR	15 kg				599 kg



PRO ARMOR WHITEOUT

- Extra wide tires for flotation in snow
- Tread pattern designed for superior snow traction with limited digging

	TREAD DEPTH	TIRE WEIGHT	PLY RATING	SIDEWALL BELTS	LOAD RATING		
14"	27" x 14" R14 5416032	FRONT/ REAR	16 mm	11 kg	8	3	424 kg



PRO ARMOR PRESERVE

- Turf-friendly for areas where low impact from tire tread is needed
- Exceptionally quiet-running and low impact

	TREAD DEPTH	TIRE WEIGHT	PLY RATING	SIDEWALL BELTS	LOAD RATING		
12"	26" x 8" R12 5416403	FRONT	11 kg		388 kg		
12"	26" x 10" R12 5416402	REAR	16 mm	13 kg	10	3	599 kg
14"	27" x 10" R14 5416348	FRONT/ REAR	13 kg				599 kg



NEW X TERRAIN

- Built to perform through the toughest obstacles on any trail
- Durability-driven design to provide a comfortable, confident ride
- 8-ply, triple-belted ballistic sidewalls resist punctures

	TREAD DEPTH	TIRE WEIGHT	PLY RATING	SIDEWALL BELTS	LOAD RATING		
14"	27" x 9" R14 5418330	FRONT	16 mm	12 kg	8	3	365 kg
14"	27" x 11" R14 5418331	REAR		14 kg			438 kg



PRO ARMOR XD-K

- 26" Aramid fiber-belted tire can tackle any terrain
- Unique full-face tread design
- Harder durometer lugs promote extended wear, increasing tire life

	TREAD DEPTH	TIRE WEIGHT	PLY RATING	SIDEWALL BELTS	LOAD RATING		
12"	26" x 9" R12 5415756	FRONT	31.7 mm	13 kg	8	3/1 Aramid	388 kg
12"	26" x 11" R12 5415757	REAR		15 kg			499 kg



PRO ARMOR MUD XC

- Designed as the perfect mud-trail crossover for a smooth ride on the trail and aggressive traction in the mud
- Dual-compound technology with harder durometer lugs promotes extended wear, increasing tire life
- 10-ply construction means added protection in the toughest terrain

	TREAD DEPTH	TIRE WEIGHT	PLY RATING	SIDEWALL BELTS	LOAD RATING		
14"	27" x 9" R14 5416947	FRONT	30 mm	14 kg	10	3	531 kg
14"	27" x 11" R14 5416948	REAR		15 kg			599 kg



COMMON

WINCHES

570

XP 1000 • XP 1000 S

SCRAMBLER
XP 1000 S

MISC 8 YOUTH

PLOW & TRACKS

WHEELS & TIRES

LIGHTING

HUNT & COOLERS

WHEELS



40-SERIES 14"

A 4101
 WEIGHT: 6.6 kg LOAD RATING: 363 kg OFFSET: -35
 MATTE BLACK: FRONT/REAR 14" x 10" 1522958

B 4201
 FRONT WEIGHT: 5.9 kg LOAD RATING: 408 kg OFFSET: +9
 REAR WEIGHT: 6.4 kg LOAD RATING: 590 kg OFFSET: +9
 ACCENT: FRONT 14" x 7" 1522956-266
 REAR 14" x 8" 1522957-266
 MATTE BLACK: FRONT 14" x 7" 1522956-458
 REAR 14" x 8" 1522957-458

C 4202
 FRONT WEIGHT: 5.8 kg LOAD RATING: 408 kg OFFSET: +4
 REAR WEIGHT: 6.1 kg LOAD RATING: 590 kg OFFSET: -9
 ACCENT: FRONT 14" x 7" 1522544-266
 REAR 14" x 8" 1522545-266
 MATTE BLACK: FRONT 14" x 7" 1522544-458
 REAR 14" x 8" 1522545-458

D 4203 BEADLOCK
 FRONT WEIGHT: 5.9 kg LOAD RATING: 408 kg OFFSET: +4
 REAR WEIGHT: 6.6 kg LOAD RATING: 590 kg OFFSET: -9
 MATTE BLACK: FRONT 14" x 7" 1522238-458
 REAR 14" x 8" 1522239-458

E 4204
 FRONT WEIGHT: 5.9 kg LOAD RATING: 408 kg OFFSET: +4
 REAR WEIGHT: 6.4 kg LOAD RATING: 590 kg OFFSET: -9
 ACCENT: FRONT 14" x 7" 1522546-266
 REAR 14" x 8" 1522547-266
 MATTE BLACK: FRONT 14" x 7" 1522546-458
 REAR 14" x 8" 1522547-458

F 4205
 FRONT WEIGHT: 4.8 kg LOAD RATING: 408 kg OFFSET: +4
 REAR WEIGHT: 5.7 kg LOAD RATING: 590 kg OFFSET: -9
 MATTE BLACK: FRONT 14" x 7" 1521507-521
 REAR 14" x 8" 1521508-521
 LUSTER: FRONT 14" x 7" 1521507-410
 REAR 14" x 8" 1521508-410

G 4206
 FRONT WEIGHT: 4.3 kg LOAD RATING: 408 kg OFFSET: +4
 REAR WEIGHT: 4.9 kg LOAD RATING: 590 kg OFFSET: -9
 MATTE BLACK: FRONT 14" x 6" 1522542-458
 REAR 14" x 8" 1522543-458

H 4301 BEADLOCK
 WEIGHT: 7.3 kg LOAD RATING: 726 kg OFFSET: +38
 ACCENT: FRONT/REAR 14" x 7" 1523284
 MATTE BLACK: FRONT/REAR 14" x 7" 1523283

I HD DUAL BEADLOCK
 WEIGHT: 18.1 kg LOAD RATING: 725.7 kg OFFSET: +38
 MATTE BLACK: FRONT/REAR 14" x 7" 1524022-458

KNOW YOUR WHEELS

STEP 1: SELECT SERIES

4 = 40-SERIES

STEP 2: CHOOSE LOAD RATING

- 1 = <362.9 kg
- 2 = 363 - 589.7 kg
- 3 = 590 - 726+ kg

STEP 3: PICK STYLE

OFFSET / BEADLOCK / COLOR

INCREASE OFFSET FROM STOCK = NARROWER STANCE
 DECREASE OFFSET FROM STOCK = WIDER STANCE

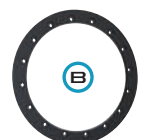
2 WAYS TO PURCHASE

INDIVIDUAL WHEELS & TIRES
 - OR -
 COMPLETE SETS AS LISTED

Exclusively at Polaris Authorized Dealers

14" FORGED BEADLOCK RINGS

Sold Individually



- A Machined**
Only used on 4203 Beadlock & HD Dual Beadlock 1522244-266
- B Beadlock Ring - Matte Black - 14"**
Only used on 4301 Beadlock & HD Dual Beadlock 1523146-458

KNOW YOUR TERRAIN



- Tread patterns optimized for extreme traction
- Ideal for both hard pack and loose trail



- Extra deep treads
- Self-cleaning lugs



- Triple-belted sidewalls to resist puncture
- Purpose-built, long lasting tread patterns



- Handles extreme cold
- Holds shape and provides traction

WHEEL & TIRE SETS

14" 40-SERIES	TRAIL			MUD		UTILITY		SNOW	
	X TERRAIN 27"	ATTACK 26"	DUAL-THREAT 26"	MUD XC 27"	PRESERVE 27"	HARVESTER 27"	WHITEOUT 27"		
4101 Matte Black									2882382
4201 Accent	2889966	2882390	2883138	2884272	2883208	2882388			
4201 Matte Black	2889967	2882391	2883139	2884273	2883209	2882389			
4202 Accent	2889968	2881335	2883140	2884267		2882383			
4202 Matte Black	2889969	2881336	2883141	2884268	2883204	2882384			
4203 BEADLOCK Matte Black BEADLOCKS SOLD SEPARATELY	2889972	2881381							
4204 Accent	2889973	2881347	2883142	2884270	2883205	2882385			
4204 Matte Black	2889974	2881348	2883143	2884271		2882386			
4205 Luster		2881359	2883144						
4205 Matte Black	2889975	2881360	2883145	2884269	2883207	2882387			
4206 Matte Black		2881404							
4301 BEADLOCK Accent BEADLOCKS PRE-MOUNTED	2889970		2883217						
4301 BEADLOCK Matte Black BEADLOCKS PRE-MOUNTED	2889971		2883216						

LUG NUTS

LUG NUTS REQUIRED



METRIC LUG NUTS FOR ALUMINUM RIMS

- » 2877385 • SET OF 4
- » 2877384 • SET OF 16 SPORTSMAN XP

SAE LUG NUTS FOR ALUMINUM RIMS

- » 2876754 • SET OF 4
- » 2877409 • SET OF 16 SPORTSMAN 450/570

REPLACEMENT CAPS

CENTER CAP

LUSTER	ALL WHEELS EXCEPT 4204 & 4203 BEADLOCK	1521509-410
MATTE BLACK		1521509-521
HD MATTE BLACK	ALL WHEELS	5457498-458

PRO ARMOR CENTER CAP

LUSTER	ALL WHEELS EXCEPT 4204 & 4203 BEADLOCK	5453209-410
MATTE BLACK		5453209-458



COLBY VALVE SHORT ULTIMATE VALVE - 2 PACK

» 2883292



COLBY VALVE EMERGENCY VALVE - 2 PACK

» 2883293



COLBY COMBO VALVE KIT - 16 PACK

- Includes eight Ultimate Valves and eight Emergency Valves

» 2883294

For off-road use only. Please check fitment with your dealer.

ADVANCED TECH

RIGID lights are driven by Aluminum PCB Smart Boards, 6063-T5 aircraft aluminum extruded housings and Tiger Drylac UV protection polyester powdercoating.

EXCLUSIVE OPTICS

RIGID lights feature impact-resistant polycarbonate lenses for a 100% water/dustproof seal.

RUGGED CONSTRUCTION

Pro Armor lights are designed to be big and beefy with an aggressive style all their own, and housed in IP67 marine-grade rated UV polyester powdercoating.

MASSIVELY BRIGHT

Pro Armor builds bright lights designed for any riding experience. All that power is directed through heat dissipating aluminum for streamlined heat management.

LIGHT BAR TYPES



SR-SERIES PRO

Sleek, powerful, low-profile (under 5 cm tall). Lights extreme distances with low energy usage.

Available in 25.4 cm



D-SERIES PRO

Compact to fit almost anywhere with high output and low energy usage.

Available in Driving, Flood & Spot



SINGLE-ROW LED

Powerful, compact, low-profile light bars with sleek look.

Available in 50.8 cm

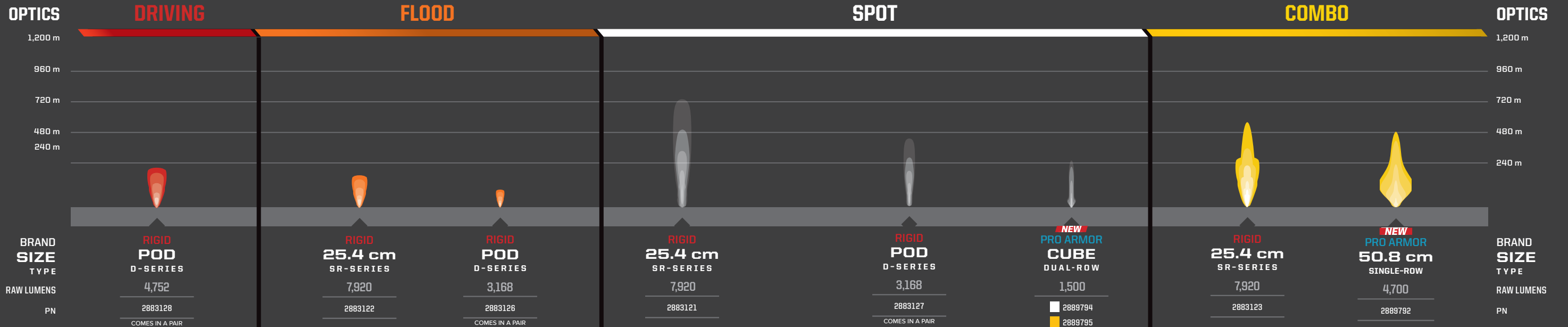


CUBE LED

Small size allows mounting in strategic locations for added lighting.

Available in Spot

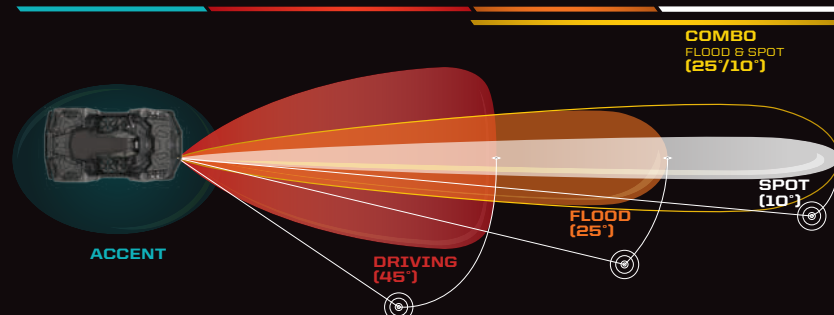
LIGHT BAR OPTIONS



BUILD YOUR VISION

Consider the optics, angle and how you will use your vehicle to choose the right light or set of lights.

OPTICS LIGHT ANGLE	ACCENT	DRIVING (45°)	FLOOD (25°)	SPOT (10°)	COMBO (25°/10°)
DRIVING SPEED	All	Slow	Medium	Fast	Medium to fast
BEAM	Diffused glow	Extra-wide	Wide/Shorter	Concentrated/Long	Inner spot & outer flood
RECOMMENDED MOUNTING	Low/Wheel well	All points	Low &/or rear	High points	All points
TERRAIN & RIDING STYLE	Added style & personalization in any terrain	All riding & utility	Wide-open terrain or trails & utility	Trail & tight conditions	All riding & utility



POLARIS ENGINEERED

LED LIGHTING

LED LIGHT KIT

- Upgrade your standard headlights and pod lights to LEDs with this upgrade kit
- 2884859
- SPORTSMAN XP 1000 S '21-23, SPORTSMAN 850/1000 '21-23, SPORTSMAN 450/570 '21-23
- DOES NOT WORK WITH MODELS PRIOR TO '21



WIRING HARNESSES

LIGHTBAR HARNESS

- Control one light with one switch
- 2882320
- ALL SPORTSMAN MODELS

LED Y-HARNESS

- Requires 2882320 to control two cubes or two lights with one switch
- 2879860
- ALL SPORTSMAN MODELS

PROTECTING YOUR ESSENTIAL GEAR SINCE 1943



Never transport a loaded firearm. Verify firearm is unloaded prior to mounting. Please refer to local laws and regulations regarding the requirements for the legal transport of firearms.

KOLPIN STRONGHOLD SYSTEM

Polaris is proud to partner with Kolpin Outdoors, an industry leader in off-road accessories and the premier name in gun boots and mounts. If you need to secure a firearm while riding, simply attach the auto-latch mount and choose your Gun Boot.

IDEAL FOR SECURE TRANSPORT OF SCOPED RIFLES AND SHOTGUNS

STEP 1 CHOOSE YOUR MOUNT



STRONGHOLD AUTO-LATCH MOUNT

- The auto-latching design provides quick and secure Kolpin Stronghold product attachment
- Bracket is made from rugged high impact, reinforced nylon and coated steel with precision angle adjustment for a custom fit
- For use with the Kolpin Stronghold line of products (sold separately)

» 2882272
SPORTSMAN 850/1000 '17-23
DOES NOT FIT WITH ULTIMATE SERIES – BODY ARMOR (2882090)

STRONGHOLD AUTO-LATCH MOUNT

- The auto-latching design provides quick and secure Kolpin Stronghold product attachment
- Bracket is made from rugged high impact, reinforced nylon and coated steel with precision angle adjustment for a custom fit
- For use with the Kolpin Stronghold line of products (sold separately)

» 2884846
SPORTSMAN 450/570 '21-23

STEP 2 CHOOSE YOUR BOOT



GUN BOOT L

- 132.1 cm L x 12.1 cm W x 23.5 cm H
- Requires Auto-Latch Mount 2882272 or 2884846 to mount to vehicle

» 2882426
SPORTSMAN 850/1000 '17-23,
SPORTSMAN 450/570 '14-23

GUN BOOT XL

- Lockable and TSA Approved
- Includes padded, zippered internal protective liner
- 132.1 cm L x 9.5 cm W x 26.6 cm H
- Requires Auto-Latch Mount 2882272 or 2884846 to mount to vehicle

» 2882036
XP 1000 '17-23, 850 '17-23, 570 '19-23, 450 H.O. '21-'23



KOLPIN RHINO GRIP IDEAL FOR CARRYING RIFLES, SHOTGUNS, BOWS AND CROSSBOWS.



LOCK & RIDE RHINO GRIP PRO

- » 2884119
- » 2884109 • REPLACEMENT RUBBER STRAPS
ALL SPORTSMAN MODELS (EXCEPT UTILITY EDITIONS & YOUTH)



LOCK & RIDE RATCHETING RHINO GRIP

- » 2881157
ALL SPORTSMAN MODELS (EXCEPT UTILITY AND YOUTH)



LOCK & RIDE RHINO GRIP XLR

- » 2889147
- » 2889204 • RHINO GRIP XLR
REPLACEMENT RUBBER STRAPS (2)
- ALL SPORTSMAN MODELS
(EXCEPT UTILITY EDITIONS & YOUTH)



LOCK & RIDE RHINO GRIP XLR – DOUBLES

- » 2889148
- » 2889204 • RHINO GRIP XLR
REPLACEMENT RUBBER STRAPS (2)
- ALL SPORTSMAN MODELS
(EXCEPT UTILITY EDITIONS & YOUTH)



KOLPIN GUN BOOT IV

- For 50mm scopes, rifles with slings attached, or shotguns up to 129.54 cm in length
- » BLACK • 2872677



LOCK & RIDE GUN BOOT MOUNTS

- Works with Lock & Ride XL Storage Box, Lock & Ride Rear Cargo Box, and Rear Rack Extenders
- » 2878001
SPORTSMAN 850/1000 TOURING '10-23
ONLY COMPATIBLE WITH KOLPIN GUN BOOT IV – NOT COMPATIBLE WITH KOLPIN STRONGHOLD GUN BOOTS

KEEP IT
ICE COLD



GRIZZLY TESTED.
POLARIS APPROVED.



This cooler is IGBC-approved, meaning it withstands the power expended by a typical grizzly bear if it was trying to get inside.

Seriously, there are experts who know what a grizzly is capable of doing, and they certify our coolers can take it.



28, 57 & 99
LITER FEATURES



Comfort Carry Handles



Travel Lock System



Easy Out Drain System



No Slip Rubber Feet



Polar Wall Insulation



Ice Lock Seal

POLARIS NORTHSTAR COOLERS CAN SURVIVE JUST ABOUT ANYTHING - FROM EXTREME HEAT TO A NASTY TUMBLE OFF A VEHICLE.



99 LITER

- » GRAPHITE • 2883426
- » DESERT • 2883392



57 LITER

- » GRAPHITE • 2883425
- » DESERT • 2881259



28 LITER

- » GRAPHITE • 2883424
- » DESERT • 2881315



14 LITER

- » GRAPHITE • 2883968



19 LITER SOFT-SIDED COOLER

- » GRAPHITE • 2889285

ESSENTIAL ACCESSORIES SO YOUR COOLER WORKS AS HARD AS YOU DO

COOLER ACCESSORIES	99 LITER	57 LITER	28 LITER	DON'T FORGET THESE ACCESSORIES	
<p>WIRE BASKET</p>	2883648	2882185	2882438	<p>TUMBLER</p> <ul style="list-style-type: none"> » 591 mL • 2883393 	<p>BOTTLE OPENER</p> <ul style="list-style-type: none"> » 2882183 ALL COOLERS
<p>DIVIDERS Doubles as cutting board</p>	2883468 COMES WITH ONE DIVIDER 	2882184 COMES WITH TWO DIVIDERS 	2882186 COMES WITH ONE DIVIDER 		
<p>SEAT CUSHION</p>	NOT AVAILABLE	2882179	2882507		
<p>WHEELS</p>	2883967	2882180	NOT AVAILABLE		

FOR THE LIFE OF YOUR RIDE

PARTS THAT PUSH THE LIMITS WITHOUT SACRIFICING STRENGTH AND DURABILITY.

We build our products so anyone with the right tools can maintain their vehicle.

POLARIS

ENGINEERED PARTS & LUBRICANTS

PARTS & GARAGE

MAINTENANCE

OIL & LUBRICANTS

MAINTENANCE FLUIDS

HO PARTS

SERVICE PARTS

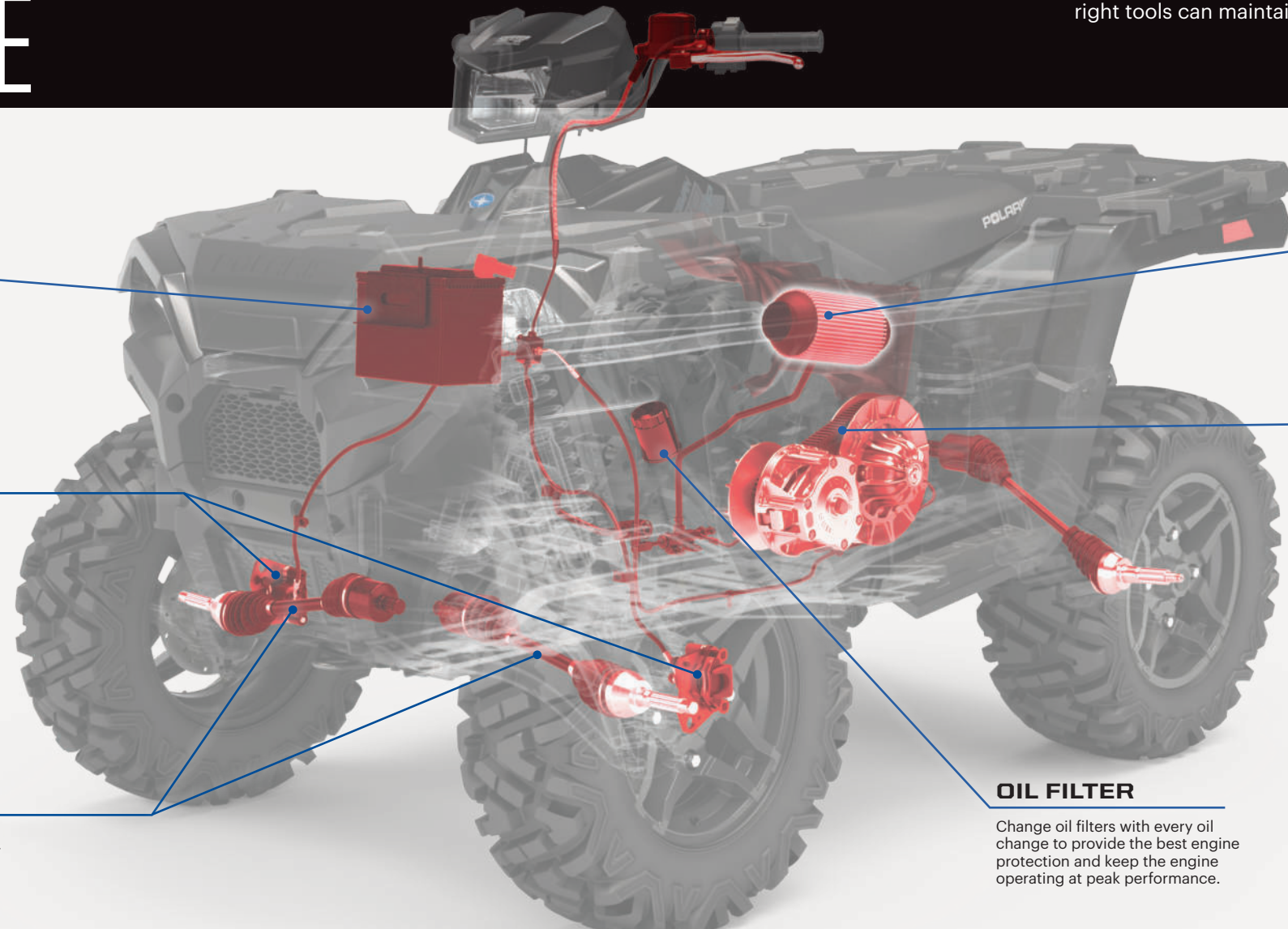
TIRE SEALANT & TRAILERING

MAINTENANCE TIP

BREAK-IN PERIOD

The break-in period for your new Sportsman is the first 25 hours of operation, or the time it takes to use the first two tanks of fuel. No single action on your part is as important as a proper break-in period. Careful treatment of a new engine will result in more efficient performance and longer life for the engine.

NOTICE: Excessive heat build-up during the first three hours of operation will damage close-fitted engine parts. Do not operate at full throttle or high speeds for extended periods during the first three hours of use.



BATTERY

To ensure a battery maintains its level of charge when unused for extended periods of time or during freezing weather, the battery should be connected to a suitable battery charger. Be sure to check for corrosion from the terminals to the ends of the cables.

BRAKE PADS

Maintaining and/or replacing brakes are critical to the safety and functionality of a vehicle. Brake pads should be checked for wear and oil or grease (petroleum products) contamination and brake discs should be checked for cracks, excessive corrosion or warping.

HALF SHAFT

Check for tears and punctures in the boot, which can lead to CV joint wear that can contribute to axle failure.

AIR FILTER

A clogged air filter can restrict air flow to the engine leading to reduced engine performance, engine life or catastrophic failure.

DRIVE BELT

Polaris Engineered belts deliver unmatched performance for your off-road vehicle. Developed and tested on all our engines for all environments and conditions. Check your belt for delamination, hour glassing and glazing.

BREAK-IN PERIOD

- Use lower gear (if available) while varying speeds and avoid wide open throttle for 8-16 km
- If no low gear is available, vary at moderate speeds while avoiding wide open throttle for 80 km

OUR INVESTMENT

- 64,000+ km of field testing
- Thousands of dyno hours
- 18+ months of development (13,000+ design hours) per belt
- 1,500+ vehicle validation hours
- Collaboration with powertrain and clutch engineers

YOUR ADVANTAGE

- No clutch recalibration
- Less wear and tear due to heat
- Ensure maximum vehicle performance
- More time riding, less time wrenching
- Produced in collaboration with powertrain and clutch engineers to ensure a perfect fit, maximum performance and ultimate durability

OIL FILTER

Change oil filters with every oil change to provide the best engine protection and keep the engine operating at peak performance.

FOLLOW RECOMMENDED SERVICE INTERVALS IN THE OWNER'S MANUAL

MAINTENANCE SCHEDULE

25 HRS / 400 km

BREAK-IN MAINTENANCE

- ENGINE OIL:** CHANGE
- GEARCASES:** CHECK OIL LEVEL
- AIR FILTER:** INSPECT & REPLACE AS NEEDED
- EXHAUST SYSTEM:** INSPECT & CLEAN
INSPECT FOR LEAKAGE OR CARBON BUILD UP AT JOINTS
INSPECT & CLEAN SCREEN TYPE SPARK ARRESTOR

50 HRS / 800 km

6 MONTHS

- EXHAUST SYSTEM:** INSPECT & CLEAN
INSPECT FOR LEAKAGE OR CARBON BUILD UP AT JOINTS
INSPECT & CLEAN SCREEN TYPE SPARK ARRESTOR
- GENERAL LUBRICATION:** ALL FITTINGS, PIVOTS, CABLES, ETC.
- DRIVE BELT:** INSPECT & ADJUST
REPLACE AS NEEDED

100 HRS / 1,600 km

12 MONTHS

- ENGINE OIL:** CHANGE
- DRIVE BELT:** INSPECT & ADJUST
REPLACE AS NEEDED
- SPARK PLUGS:** REPLACE
- EXHAUST SYSTEM:** INSPECT & CLEAN
INSPECT FOR LEAKAGE OR CARBON BUILD UP AT JOINTS
INSPECT & CLEAN SCREEN TYPE SPARK ARRESTOR

150 HRS / 2,400 km

18 MONTHS

- BATTERY:** TEST, CLEAN & CHECK FLUID LEVEL
IF NECESSARY, REPLACE AS NEEDED
- DRIVE BELT:** INSPECT & ADJUST
REPLACE AS NEEDED
- TIRES:** INSPECT CONDITION & PRESSURE
- EXHAUST SYSTEM:** INSPECT & CLEAN
INSPECT FOR LEAKAGE OR CARBON BUILD UP AT JOINTS
INSPECT & CLEAN SCREEN TYPE SPARK ARRESTOR

200 HRS / 3,200 km

24 MONTHS

- ENGINE OIL:** CHANGE
- TRANSMISSION FLUID:** CHANGE
- GEARCASES:** CHECK OIL LEVEL
- BRAKE PADS & FLUID:** INSPECT & CLEAN
REPLACE AS NEEDED
- SPARK PLUGS:** REPLACE
- EXHAUST SYSTEM:** INSPECT & CLEAN
INSPECT FOR LEAKAGE OR CARBON BUILD UP AT JOINTS
INSPECT & CLEAN SCREEN TYPE SPARK ARRESTOR

250 HRS / 4,023 km

30 MONTHS

- ENGINE OIL:** CHANGE
- BATTERY:** TEST, CLEAN & CHECK FLUID LEVEL
REPLACE AS NEEDED
- DRIVE BELT:** INSPECT & ADJUST
REPLACE AS NEEDED
- GENERAL LUBRICATION:** ALL FITTINGS, PIVOTS, CABLES, ETC.
- EXHAUST SYSTEM:** INSPECT & CLEAN
INSPECT FOR LEAKAGE OR CARBON BUILD UP AT JOINTS
INSPECT & CLEAN SCREEN TYPE SPARK ARRESTOR

300 HRS / 4,828 km

36 MONTHS

- ENGINE OIL:** CHANGE
- AIR FILTER:** INSPECT & REPLACE AS NEEDED
- GEARCASES:** CHECK OIL LEVEL
- SPARK PLUGS:** REPLACE
- EXHAUST SYSTEM:** INSPECT & CLEAN
INSPECT FOR LEAKAGE OR CARBON BUILD UP AT JOINTS
INSPECT & CLEAN SCREEN TYPE SPARK ARRESTOR

CHECK YOUR OWNER'S MANUAL FOR ADDITIONAL RECOMMENDED SERVICE ITEMS AND VEHICLE-SPECIFIC TIMING

OIL

PS-4 FORMULATIONS BEST PROTECTION, BEST PERFORMANCE

Our new PS-4 5W-50 formulation and PS-4 Extreme Synthetic 0W-50 have been designed to provide the best fluid technologies for long lasting wear protection. These formulations include a new Polaris exclusive additive system to keep the engine cleaner from deposit build-up to maximize power and powersports-grade synthetic base stocks that provide the ultimate in engine protection.

PS-4 5W-50 FULL-SYNTHETIC OIL

Optimal for ambient operating temperatures of -40° C to 38° C

» 1L 502484 » 4L 502485 » 25L 502486 » 60L 502487 » 200L 502488

PS-4 0W-50 EXTREME FULL-SYNTHETIC OIL

Optimal for ambient operating temperatures of -43° C to 54° C

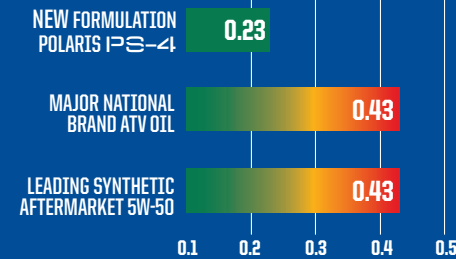
» 1L 503220 » 4L 503221 » 25L 503233 » 60L 503236 » 200L 503235

OIL CHANGE KITS

These convenient kits include everything needed including filter and oil volume per vehicle

PART NUMBER	VEHICLE FITMENT
502541	SINGLE 570, TWIN 600, TWIN 700, TWIN 800
502543	RANGER/RZR 900/1000
502542	SPORTSMAN 550/850/1000

ENGINE WEAR TEST LOWER NUMBER = LESS WEAR OF CRITICAL ENGINE PARTS LESS WEAR MEANS LONGER ENGINE LIFE



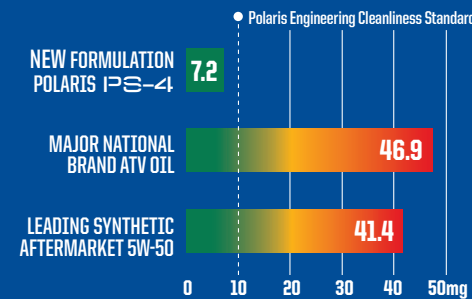
ASTM D4172. In 3rd party against 11 competitive products Polaris had 40% or better wear protection compared to all of the test products.

THE BEST PROTECTION

- At least 40% improved wear protection compared to previous Polaris PS-4 formulation and all aftermarket oils tested

Best engine protection against wear for the longest engine life.

DEPOSIT TEST LOWER DEPOSITS = MAXIMUM POWER



ASTM D6335. In 3rd party against 9 competitive products Polaris PS-4 had less than half the deposits compared to the next closest product. No other tested products met Polaris Engineering standards for deposit cleanliness.

MAXIMUM PERFORMANCE

- New improved PS-4 formulation provides 33% less deposits than previous PS-4 formula

- At least 50% less deposits than all aftermarket oils tested

The cleanest engine for maximum power and performance!

POLARIS EXTREME SYNTHETICS

Our new PS-4 Extreme Synthetic 0W-50 formulation applies only to the **absolute highest performance** products we sell, for ultimate protection and performance in the most extreme conditions.



- Our best extreme high temp formulation, excellent for severe high temperatures and for racing, even at temps over 54°C.

- Provides easier starting and cold temperature protection, even to extreme cold temps of below -42°C.

- Latest in premium synthetic PAO and Ester base stocks along with careful balance of moly and ZDDP additives for ultimate long lasting wear protection.

- Polaris exclusive clean engine additive system reduces deposits and carbon build-up for peak performance and power.



POLARIS INVESTS IN EACH OIL AT AND ABOVE THESE LEVELS

12+ DEDICATED
TEAM MEMBERS

FOCUSED ON
POLARIS OIL

18+
MONTHS

DEVELOPMENT
& TESTING

76,000+
HOURS

DYNO
TESTING

3.5 MILLION+
KILOMETERS

FIELD
TESTING

MAINTENANCE FLUIDS



DOT 4 BRAKE FLUID

A high-quality brake fluid designed for use in Polaris hydraulic brakes.

Change every 200 hours, 24 months, or 3,200 km.

» 250 ML • 502526

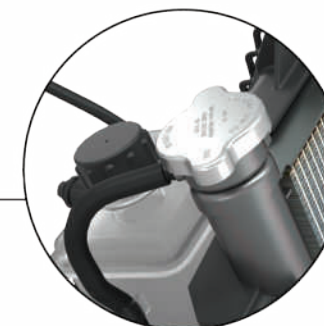
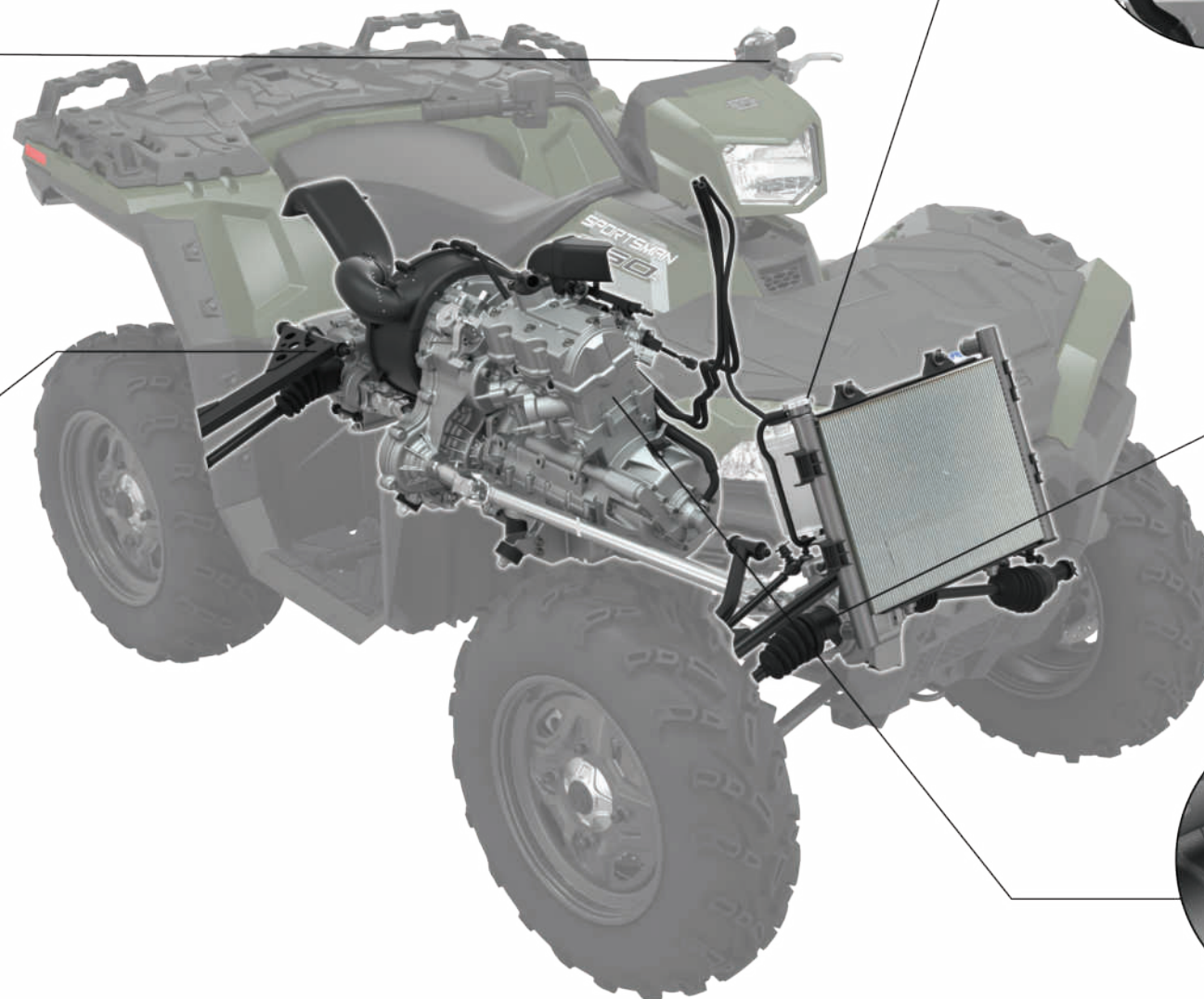
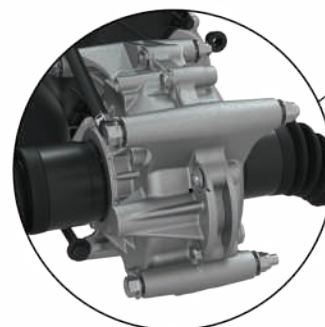


AGL

Protect gears, drive chain and bearings from scoring and wear.

Change every 200 hours, 24 months or 3,200 km.

» 1 L • 502505
» 25 L • 502507
» 200 L • 502508

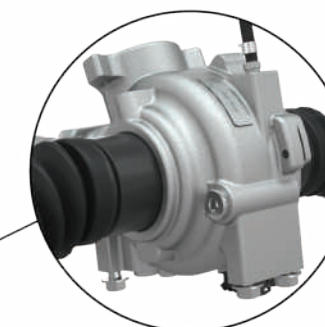


ANTI-FREEZE

Prevent corrosion on metal components, eliminate scaling and maximize cooling system performance.

Change every 60 months.

» 1 L • 502566
» 25 L • 502567
» 206 L • 502568

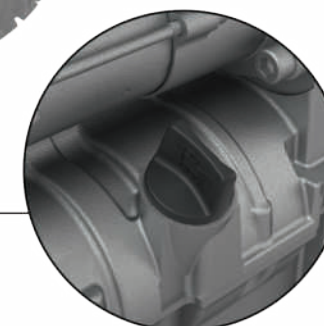


DEMAND DRIVE FLUID

Provide positive 4WD engagement in extreme cold or high heat conditions and protect internal components under heavy loads.

Change every 100 hours or every 36 months.

» 1 L • 502563
» 25 L • 502564
» 200 L • 502565



ENGINE OIL

Maximum protection for your 4-cycle engine.

Change every 100 hours, 1,600 km or 12 months.



PREMIUM GAS SHOCK OIL

» 1 L • 502518



ALL-SEASON GREASE TUBE

• Specialized water-resistant lubricant

» 400 g • 502538



ANGLE DRIVE FLUID

• Extreme pressure, anti-wear and high viscosity film lubrication for maximum protection

» 1 L • 502510
» 25 L • 502511
» 202 L • 502512
SPORTSMAN, RANGER, RZR
ANGLE DRIVE GEAR
CASE SYSTEMS



CARBON CLEAN

• Ultimate fuel and injection system cleaner

» 125 mL • 502528



FUEL STABILIZER

• Fuel Stabilizer prevents ethanol corrosion and stabilizes fuel for up to 2 years. Dual-antioxidant formula protects against gum and varnish for easy starting.

» 125 mL • 502519

HD HEAVY DUTY PARTS

All Polaris parts are developed and tested to help you get the most out of your ride. We're taking the passion of our riders, workers and outdoor enthusiasts to the next level with HD Parts.

Engineered and designed for:

- Greater durability
- Enhanced performance
- Greater wear and tear capabilities
- All weather conditions

OIL FILTERS

The advanced synthetic material built into these filters offers the highest debris holding capacity, maintains oil flow and maximizes performance.

OE	HD HEAVY DUTY PARTS
2520799	2522498
2540086	2522485

WHEEL BEARINGS

Fully sealed for added protection against intrusions. Made of a higher grade steel for extended life in extreme conditions.

LOCATION	OE	HD HEAVY DUTY PARTS
FRONT WHEEL BEARINGS	3514822	3515090
	3514634	3515088
REAR WHEEL BEARINGS	3514917	3515087

WHEELS & TIRES

Class leading durability for off-road performance and traction for confident driving in extreme conditions.

- › 1524022-458 • HD WHEEL - 14x7
- › 5457498-458 • HD WHEEL CENTER CAP
- › 5415756 • PRO ARMOR XD-K FRONT
- › 5415757 • PRO ARMOR XD-K REAR

DRIVE BELTS

The enhanced rubber material compound in these belts keep them cool in extreme heat, while our patented cord treatment process maximizes the transfer of horsepower to the ground for those customers hauling heavy loads.

OE	HD HEAVY DUTY PARTS
3211149	3212326
3211077	3212328
3211113	3212332
3211160	3212331

BUSHINGS

The advanced material compound of the bushings enables tighter tolerances to reduce overall wear on the system, while the superior triple lip sealing prevents intrusion of the elements.

LOCATION	OE	HD HEAVY DUTY PARTS
FRONT UPPER BUSHINGS	5439874	1543367
FRONT LOWER BUSHINGS	5439874	1543367
	5436973	1543326
REAR UPPER BUSHINGS	5439874	1543367
	5438895	1543326
REAR LOWER BUSHINGS	5439874	1543367
	5436973	1543326

NEW CV BOOT KIT

TPE rubber compound for maximum puncture and tear resistance, includes (1) boot, grease and clamp to replace OE stock part. Provides increased durability for riding in extreme conditions.

OE	HD HEAVY DUTY PARTS
2204102	2209922
3236165	2209923

BRAKE PADS

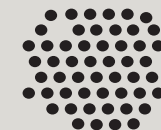
Engineered to provide longer life and better stopping power while riding in extreme conditions.

LOCATION	OE	HD HEAVY DUTY PARTS
FRONT	2205949	2208933
FRONT/REAR	2202413	2208934
	2202412	2208935

BUSHING KITS

Easily update the entire front and rear suspension.

- › 2830562 (SHOWN)
 - 570 EFI '16-'20, 570 EFI X2 '16-'20,
 - 570 EFI TOURING '16-'20,
 - 570 EPS UTILITY '20,
 - 450 HO '16-'20, 450 UTILITY '20
- › 2830563
 - 570 SP '16-'19, 570 PREMIUM '19,
 - 570 SP TOURING '16-'20



SAND



MUD



WATER



EXTREME COLD



EXTREME HEAT UP TO 54° C



HEAVY PAYLOADS



EXTENDED LIFE

Claims made based off testing and performance of Polaris HD Parts against standard OEM parts made by Polaris and competitor brands under normal use.

For more information regarding Polaris HD parts including vehicle compatibility, installation and maintenance, please contact your authorized Polaris ORV dealer.

SERVICE PARTS

Polaris Engineered service parts deliver unmatched performance and fit for your off-road vehicle.

All service parts are engineered specifically for your machine. Which means everything is designed, tested and perfected to maximize the life of your ride. Getting Polaris Engineered parts is a decision that pays off in the long run, because it ensures there is a long run.



VISIT YOUR POLARIS DEALER TO SHOP FOR SERVICE PARTS.

**OVER
100,000
PARTS
AVAILABLE!**



FOR THE LIFE OF YOUR RIDE

Maintenance is the key to keeping your Polaris off-road vehicle performing at its peak. Items like belts, lubricants, and batteries represent only a few of these critical items engineered specifically by Polaris.



POLARIS ENGINEERED DRIVE BELTS

TESTED, PERFECTED

We test each belt on the intended vehicle – we don't just try to make an existing belt "just work".
– Amery Kuhl, Polaris CVT System Engineer

OUR INVESTMENT

- 32,187 km of field testing
- Thousands of dyno hours
- 18+ months of development (3,000+ design hours) per belt
- 1,200+ vehicle validation hours
- Collaboration with powertrain & clutch engineers

YOUR ADVANTAGE

- No clutch recalibration
- Less wear & tear due to heat
- Ensure maximum performance of your vehicle
- More time out riding, less time wrenching

**OUR INVESTMENTS ENSURE POLARIS BELTS
OUTPERFORM YOUR EXPECTATIONS.**

CV BOOT REPAIR KIT*

FIX ON THE GO | TEMPORARY COVERAGE

- A quick trail-side fix to increase trail time
- The flexible and durable boot material expands over a cone tool for CV boot repairs, without disassembling CV axles
- Universal fit – works as a temporary fix for most powersports axles
- All components fit inside the cone, and a cover is provided for compact durable storage
- Easily fits in a cargo box, attached to the roll cage, in the glovebox or many other storage locations



Items shown are contained inside cone

ATV CV BOOT REPAIR KIT

Kit includes the following items:

- (1) Expandable CV Boot
- (1) Reusable Cone Tool
- (2) CV Boot Clamps
- (1) Tube of Silicone Lube
- (1) Grease Packet
- (1) Cone Cover

» 2830528

ATV TRAIL BOOT ONLY

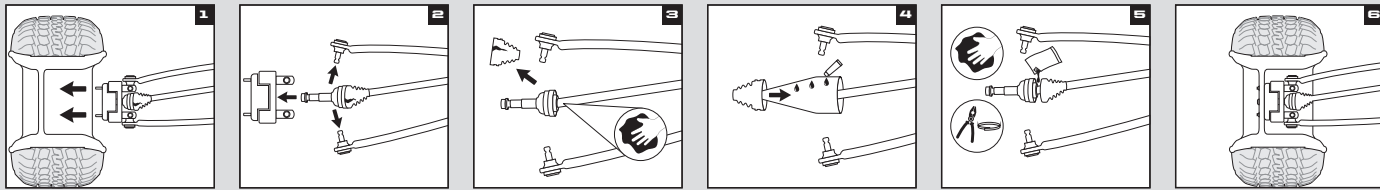
» 2830529

UTV

» CV REPAIR KIT 2830526

» TRAIL BOOT ONLY 2830527

HOW TO INSTALL



- 1 Remove wheel and axle nut.
- 2 Remove brake caliper, hub, tie rod and upper and lower ball joints.
- 3 Remove old boot and clean joint.
- 4 Spread silicone lube on entire cone tool. Slide boot over cone tool, large end first. See package for outer boot instructions.
- 5 Empty the bag of grease into the CV joint/boot, clean sealing points and install clamps.
- 6 Reassemble tie rod, ball joints, brake caliper, axle nut, tire and wheel.

Refer to your service manual for further instructions and torque specifications.
*Designed for temporary CV boot repair. Purchase the OEM CV Boot for a permanent repair.

KEEP IT CLEAN

CLEAN

ALL-PURPOSE CLEANER

- Professional cleaner, which is formulated with a low pH-value. The product spreads well on surfaces and adheres on them for effective cleaning action. Perfectly compatible with rubber, plastic and painted surfaces. The formulation is biodegradable.

» 500 mL • 502309

SHINE

INSTANT SHINE & DETAILER

- The INSTANT SHINE AND DETAILER is developed for cleaning action without water. Removes insects, dust and dirt with almost no effort. Applicable for plastics, visors, windscreens, paint and metal. The wipe and shine formulation makes surfaces shine, works water repellent and also has an antistatic effect. Perfect for customers living in urban areas with no access to water, for bike trips or showroom bikes.

» 500 mL • 502303



TRAILERING



CALIBER RAMP PRO

- Designed for ATVs and UTVs up to 127 cm wide
 - Integrated grip glides for ultimate traction
 - Folding sides for easy transportation and storing
- » 132 cm x 229 cm • 2884576



ALUMINUM ARCHED LOADING RAMPS

- Capacity for up to 1,361 kg
- » 193 cm x 30.5 cm • 907 kg • 2875384
- » 224 cm x 30.5 cm • 1,361 kg • 2875386



LIGHTWEIGHT TRI-FOLD RAMPS

- Ramp folds up for transport
- Capacity for up to 680.7 kg
- Safety straps included
- » 183 cm x 130 cm • 2875385
- » 208 cm x 130 cm • 2875860



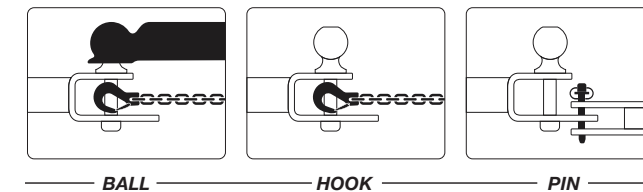
FOLDING ALUMINUM ARCHED RAMPS

- Ramp folds up for transport
- Up to 680 kg total capacity, 340 kg per individual ramp
- Safety straps included
- » 224 cm x 30.5 cm • 2875387

HITCHES

3:1 HITCHES

VERSATILE 3 IN 1 FUNCTIONALITY



- Ball, hook and pin design
- Durable, rust resistant steel with black powdercoated finish
- Removable ball
- HD 1.6 cm pin and clip



HITCH WITH 5 cm BALL

- » 5 cm x 5 cm RECEIVER 2830522
- » 3 cm x 3 cm RECEIVER 2830523



4.8 cm BALL

- 4.8 cm replacement ball for hitch
- Designed to work with 3:1 Hitch
- » 2830524



RECEIVER HITCH

- » 5 cm RECEIVER TONGUE 2875320



TRAILER BALL AND SHANK

- » 4.8 cm BALL • 2877602
- » 5 cm BALL • 2877603

COVERS

TRAILERABLE COVER

- » 2876614 SPORTSMAN 450/570, SPORTSMAN 850/1000 REPLACEMENT STRAP 2871912

- » 2877999 ALL SPORTSMAN TOURING REPLACEMENT STRAP 2871912

BRING IT EVERYWHERE

STRAPS & ROPES



RECOVERY STRAP

- 5 cm x 9.1 m
- 8,165 kg maximum load, 4,082 kg maximum vehicle weight
- Comes with carry bag
- » 2884033



RATCHET STRAP

- 3.8 cm x 4.6 m straps, 2 Pack
- Heavy duty webbing
- 2,495 kg maximum load, 831 kg working load
- » 2884031



RATCHET STRAP

- 5 cm x 6.1 m Ratchet Straps
- Heavy duty webbing, floating D-rings, double J-hooks
- 4,536 kg maximum load, 1,497 kg working load
- » 2884032



SHOCK STRAPS

- 3.8 cm 1,361 kg breaking strength
- Keeps tension on tie-down straps to secure load, 2 Pack
- » 3.8 cm x 4.6 m • 2883296
- » 3.8 cm x 2.1 m • 2883295





APPAREL

GEAR UP FOR YOUR ADVENTURE. Adventure invites you to gear up and make the most out of every moment, through the thrills, the fun and the memories. Live boldly on and off the trail with Polaris apparel and represent the brand that helps you get outside, stay outside, and THINK OUTSIDE.



NEW HELMET

- Polycarbonate shell
- Removable & washable lining
- Double lens system with integrated sun visor

- Quick release micrometric adjustment system
- Weight: 1450 g (+/-50 g)

- 1 shell and 2 EPS: XS-M, L-XXL
- ECE 22-06 approved



White Gloss | XS-2XL | 2802311
Dark Gray Matte | XS-2XL | 2802312



NEW BOOTS

- Waterproof and breathable lining
- Full-grain oil treated leather upper
- Specific ATV double density compound rubber sole
- Adjustable Velcro® closure

- Replaceable/adjustable plastic buckles
- Anti-bacterial replaceable footbed
- CE-approved motorcycle boots EN 13634:2017



Black | EU39-47 | 2802313
Brown | EU39-47 | 2802314



TECHNICAL SHIRT

- 100% polyester
- Indelible sublimated graphics
- Hemmed edging
- Lycra cuffs and collar

Black | S-3XL | 2802104



NEW TECHNICAL JACKET

- Water-resistant jacket
- Ultra-light thanks to polyester ripstop and softshell for optimal comfort
- Ventilated lining
- Hydration hose outlet
- Zip ventilation system on body and back

Black | S-3XL | 2802301



NEW TECHNICAL PANTS

- Water-resistant pants
- Ultra-light thanks to polyester ripstop, softshell and 1000-D Cordura stretch fabric on the back for optimal comfort
- 2 cargo type pockets
- Zip ventilation system
- Zip and Velcro® adjustment at the bottom of the pants

Black | S-3XL | 2802302



RAIN JACKET

- Polyester ripstop high tearing resistance
- PU coating 1000 mm
- Mesh lining
- Non-removable hood

Black | S-3XL | 2802005



NEW PUFFY JACKET

- Top body and shoulder polyester woven 3000mm/3000gr + welded quilting
- Lower body nylon 380T downproof
- 80gr padding
- Inner elastic bottom tightening
- Two external pockets with easy-grab puller

Black | S-3XL | 2802303



NEW PADDED JACKET

- Shoulder and hood softshell waterproof and breathable 3000 mm / 3000 gr
- Lower body and sleeve, polyester woven waterproof and breathable 3000 mm / 3000 gr
- Quilted lining with 80 gr padding
- Elasticized lower body tightening
- Two external pockets with easy-grab puller

Black | S-3XL | 2802306



NEW RACING PARKA

- Waterproof and breathable 3000 mm / 3000 gr
- Quilted lining with 80 gr padding
- 2 upper body outer pockets and 2 bottom cargo pockets
- Sleeve pocket with lazer holes
- +TPU welded film on zipper

Black | S-3XL | 2802307



SAFETY GLOVES TOUCH

- CE-approved motorcycle glove EN 13594:2015
- Touch screen compatible
- Silicon print on fingers to improve grip
- Neoprene cuff with Velcro® tightening
- Reinforcements patches for safety and comfort

NEW Khaki | S-3XL | 2802309
Black | XS-7,3XL-13 | 2802103



NEW NEO GLOVES

- CE-approved motorcycle glove EN 13594:2015
- 100% synthetic neoprene glove
- Touch screen compatible
- Knuckle protected
- Reinforcements patches for safety and comfort

Black | XS-7,3XL-13 | 2802310



SF TECH GLOVES TOUCH

- CE-approved motorcycle glove EN 13594:2015
- Touch screen compatible
- Knuckle-protected
- Silicon print on fingers to improve grip
- Neoprene cuff with Velcro® tightening
- Reinforcements patches for safety and comfort

NEW Khaki | S-3XL | 2802308
Black | XS-7,3XL-13 | 2802102



BODYWARMER

- Upper body and side panels in softshell waterproof and breathable 3000mm/3000g
- Lower body nylon downproof
- Padding 80 g
- Two external pockets with easy-grab puller

NEW Khaki | S-3XL | 2802304
Black | S-3XL | 2802101



RACING SOFTSHELL

- Softshell waterproof and breathable 3000mm/3000g
- Removable hood
- Four external pockets with easy-grab puller

NEW Khaki | S-3XL | 2802305
Black | S-3XL | 2802003



HYBRID JACKET

- Sleeves in softshell waterproof and breathable 3000mm/3000g
- Body nylon downproof
- Padding 80 g
- Three external pockets with easy-grab puller

Black | S-3XL | 2802004



Keep warm even on the coldest days with Polaris Heated Apparel. By keeping the heat close to your body, you can stay out for a longer, more comfortable ride. The Polaris Heated Apparel lineup includes the Heated Vest, Heated Base Layers and a Heated Glove Liner for both men and women. Easily control your heat setting with the touch of a button.



WOMEN'S
Black | S-3XL | 2833036

MEN'S
Black | S-3XL | 2833022



Black | S-3XL | 2833044

HEATED VESTS

WARMTH WITH THE TOUCH OF A BUTTON

- Perfect for any outdoor activity
- Down-proof machine washable material with 160g of insulation for warmth with or without the heater turned on
- Powered by a small rechargeable battery (included) that can also be used to charge a cellphone; battery not machine washable, remove prior to washing
- Easily adjust between four heat settings for changing weather conditions with built-in buttons

HEATED GLOVE LINER

KEEP YOUR HANDS WARM ON FROSTY DAYS

- Designed to fit under all Polaris riding gloves for an extra layer of warmth to keep you out riding longer
- Easily adjust your heat level by pressing a button on the bottom part of the glove

OFF-ROAD RIDING JERSEYS

Mesh ventilated panels for maximum airflow
Elastic sleeves with non-restrictive cuffs

OFF-ROAD RIDING GLOVES

Adjustable wrist closure for a custom fit
Silicon finger grips and neoprene knuckle protection
Gloves are not CE-approved



BLACK
JERSEY | S-3XL | 2862718
GLOVES | S-3XL | 2862726
YOUTH JERSEY | S-XL | 2862723

ORANGE
JERSEY | S-3XL | 2862719
GLOVES | S-3XL | 2862729

TEAL
JERSEY | S-3XL | 2862720
GLOVES | S-3XL | 2862727
YOUTH JERSEY | S-XL | 2862724

GREEN
JERSEY | S-3XL | 2862721
GLOVES | S-3XL | 2862730

BLUE
JERSEY | S-3XL | 2862722
GLOVES | S-3XL | 2862728
YOUTH JERSEY | S-XL | 2862725



WOMEN'S
Top | S-3XL | 2833033
Bottom | S-3XL | 2833034

MEN'S
Top | S-3XL | 2833031
Bottom | S-3XL | 2833032

HEATED BASE LAYERS

ADJUSTABLE HEAT CLOSE TO YOUR BODY, MAXIMUM COMFORT IN CHANGING CONDITIONS

- Intended for use as a base layer
- Features lightweight, moisture-wicking fabric to give you the most comfortable layering to wear on all of your cold weather adventures, on or off the trail
- Includes multiple heat panels for evenly distributed heat for maximum warmth and comfort
- Powered by a small rechargeable battery (included) that can be used to charge a cellphone; battery not machine washable, remove prior to washing
- Easily adjust between four heat settings for changing weather conditions with built-in buttons

ALTITUDE

509 ALTITUDE 2.0 HELMET

LIGHTWEIGHT DESIGN, PERFORMANCE-INFUSED STYLE AND GOPRO MOUNTING CAPABILITY

SHELL

- Thermoplastic poly alloy outer shell

WEIGHT

- Composite as low as 1,200g
- Carbon fiber as low as 1,150g

FEATURES

- Strong, lightweight construction of carbon fiber or composite
- Superior fit for all-day comfort
- Pro Series breath box for complete protection, removable for optimal air flow
- One-piece eyepoint creates draft-free seal with 509 goggles
- Magnetic Fidlock® chin-strap technology and integrated GOPRO® mount
- DOT- and ECE 22.05-approved



NEW
RED
XS-4XL
2833054



NEW
RADIANT GREEN
XS-4XL
2833051



BLACK
XS-4XL
2861469



CARBON FIBER
BLACK/LIME
XS-4XL
2861473



NEW
BLUE
XS-2XL
2833143



NEW
RADIANT GREEN
XS-2XL
2833142



BLACK
XS-2XL
2861557



BLACK/GRAY
XS-2XL
2861558



BLACK/LIME
XS-2XL
2861559



WHITE/RED
XS-2XL
2861561



PINK
XS-2XL
2861562

TACTICAL

TACTICAL 2.0 HELMET

COMBINES STYLE WITH VERSATILITY FOR ULTIMATE COMFORT AND CONTROL

SHELL

- Shock-resistant, injection-molded thermoplastic

FEATURES

- Innovative Venturi Vent pulls moist air from helmet without cold wind coming in
- Eyepoint seal is co-integrated with the removable breath box and creates a draft-free seal with 509 goggles and a clear field of view
- Magnetic Fidlock® chin-strap technology
- DOT- and ECE 22.06-approved



NEW
PINK
XS-4XL
2833050



MATTE BLACK
XS-4XL
2862468



GRAY
XS-4XL
2862469



RED/BLACK
XS-4XL
2862467



ORANGE
XS-4XL
2862471

GOGGLES



ORANGE
2862561



LIME
2862559

509 KINGPIN OFF-ROAD GOGGLE

PREMIUM MATERIALS, ATTRACTIVE PRICE



FEATURES

- Oversized spherical lens delivers optimal peripheral vision
- Metal tear-off posts provide strength and durability
- Quick-change technology allows you to run the best lens tint for conditions



BLUE
2862562



STEALTH
2862560

509 MX6 OFF-ROAD GOGGLE

SUPER WIDE FIELD OF VIEW, ENGINEERED FOR DIRT



FEATURES

- PC outer lens with anti-scratch coating, and internal anti-fog coating
- Outriggers with latch system for quick lens change
- 45mm strap with silicone to hold strap in place



BLACK
2862557



RED/BLACK
2862558



RED/GRAY
S-3XL | 2833029

BLACK
S-3XL | 2861432

FORCE PUFFER JACKET

PACKABLE JACKET OFFERS LIGHTWEIGHT PROTECTION, IDEAL FOR ANY ACTIVITY

- 140g 3M[®] Thinsulate[®]
- Plenty of storage with two external hand pockets and one internal media pocket
- Rugged YKK zippers
- Great for travel, compacts into pocket



ORANGE
S-3XL | 2833027

BLUE
S-3XL | 2833028

BLACK
S-3XL | 2861434

SOFTSHELL JACKET

VERSATILE LIGHTWEIGHT JACKET THAT'S PERFECT FOR EVERYDAY WEAR

- Casual jacket armed with rugged and warm features for everyday wear
- Superior DWR prevents precipitation from saturating the jacket's exterior
- Lined with soft fleece for warmth
- Removable hood and underarm venting, three external pockets and one internal chest pocket



BLACK
S-3XL | 2862569

NAVY
S-3XL | 2862570

WORK VEST

RUGGED AND DURABLE VEST THAT'S IDEAL AS AN OUTDOOR LAYER

- Made of durable nylon fabric to make it the ideal vest for work
- 80g 3M[®] Thinsulate[®] Insulation provides great warmth
- Vest comes with plenty of pockets to store your valuables



GRAY
S-3XL | 2860863

BLACK
S-3XL | 2861608

WORK JACKET

WARM AND RUGGED JACKET THAT'S TOUGH FOR WORK AND STYLISH FOR PLAY

- Coated with Durable Water Repellency (DWR) to provide water-resistance
- Built in action back for increased range of motion
- 80g 3M[®] Thinsulate[®] for added warmth with brushed flannel trim
- One inner and four outer pockets for storage

REVOLVE VEST

REVERSIBLE

DURABLE AND WARM REVERSIBLE VEST OFFERS TWO STYLES IN ONE

- Durable windbreak outer fabric helps protect from the elements
- 140g 3M[®] Thinsulate[®] insulation keeps you warm in cold weather
- Reversible vest offers two unique styles in one



RED
S-3XL | 2833030

BLACK/GRAY
S-3XL | 2862565

WINDBREAKER JACKET

LIGHTWEIGHT, WINDPROOF JACKET THAT PROVIDES PROTECTION WHILE RIDING

- 100% polyester windproof fabric
- Lightweight construction makes it easy to pack
- Three external pockets allow for maximum storage



BLACK
S-3XL | 2861541

FLANNEL JACKET

SHERPA FLEECE LINED JACKET DELIVERS EXCEPTIONAL WARMTH AND COMFORT

- Warm sherpa lined fleece material
- Insulation to keep you warm
- Plenty of storage for your valuables



CHARCOAL
S-3XL | 2860865

BRONZE
S-3XL | 2860864





STAMP HOODIE

NEW Green | S-3XL | 2833061
 Black | S-3XL | 2862484
 Navy | S-3XL | 2861500



CREW SWEATSHIRT

NEW Gray | S-3XL | 2833067
 Black | S-3XL | 2862488
 Navy | S-3XL | 2861497



ICON HOODIE

NEW Black/Red | S-3XL | 2833065
 Gray | S-3XL | 2862487
 Green | S-3XL | 2861495



TITAN MID-LAYER

NEW Red | S-3XL | 2833026
 Black | S-3XL | 2862568
 Blue/Orange | S-3XL | 2862567



NORTHSTAR MID-LAYER

NEW Black/Lime | S-3XL | 2833024
 Tan | S-3XL | 2862450



JOURNEY HOODIE

NEW Navy | S-3XL | 2833066
 Black | S-3XL | 2862489



ICON LONG SLEEVE

NEW Lime | S-3XL | 2833083
 Gray/Red | S-3XL | 2862505
 Black | S-3XL | 2861584



DASH LONG SLEEVE

NEW Black/Red | S-3XL | 2833082
 Navy | S-3XL | 2861583
 Black | S-3XL | 2861582



PERFORMANCE LONG SLEEVE

NEW Gray | S-3XL | 2833168
 Black | S-3XL | 2862507



NEW
 STAPLE HOODIE

Black | S-3XL | 2833068
 Navy | S-3XL | 2833069
 Green | S-3XL | 2833070



TECH FULL-ZIP HOODIE

NEW Red | S-3XL | 2833064
 Gray | S-3XL | 2861493



ROGUE HOODIE

NEW Black | S-3XL | 2833062
NEW Navy | S-3XL | 2833063
 Gray | S-3XL | 2862485



ICON TEE

NEW Lime | S-3XL | 2833079
 Green | S-3XL | 2862501
 Black | S-3XL | 2861570



NEW
 GRAPHIC TEE

Dark Gray | S-3XL | 2833086
 Forest Green | S-3XL | 2833087



FLAG TEE

Navy | S-3XL | 2862500
 White | S-3XL | 2862582

BALL CAPS



NEW
LEATHER PATCH HAT

Black | One Size | 2833129
Gray | One Size | 2833130



NEW
STAPLE CAP

Black | One Size | 2833127
Navy | One Size | 2833128



HIGHLAND CAP

NEW Navy | One Size | 2833126
Tan | One Size | 2860893
Gray | One Size | 2862544



ELLIPSE PATCH TRUCKER HAT

Orange | One Size | 2833124
Light Gray | One Size | 2862539
Gray | One Size | 2861531
Black | One Size | 2861533
Navy | One Size | 2861532



CORE CAP

NEW Red | One Size | 2833123
Gray | One Size | 2862594
Navy | One Size | 2861523
Black | One Size | 2861524



TONAL HAT

Black/Red | One Size | 2861526
Navy | One Size | 2861525



NEW
JOURNEY CAP

Black | One Size | 2833136
Blue | One Size | 2833137



CHECKERED HAT

Blue | One Size | 2861520
Black | One Size | 2861522
Gray | One Size | 2861521



RETRO CAP

NEW Black | One Size | 2833125
Navy | One Size | 2862538
Gray/Red | One Size | 2869542
Gray/Orange | One Size | 2861536

CAMO APPAREL



CAMO SOFTSHELL JACKET

Camo | S-3XL | 2861543



MEN'S CAMO REVOLVE VEST

Camo | S-3XL | 2862572



MEN'S CAMO PURSUIT HOODIE

Camo | S-3XL | 2862494



WOMEN'S CAMO PURSUIT HOODIE

Camo | S-3XL | 2862517



NEW
PURSUIT HOODIE

Black | S-3XL | 2833076
Green | S-3XL | 2833077



CAMO NECK GAITER

Camo | One Size | 2861948



STEALTH CAMO HAT

Camo | One Size | 2861527



HUNTER ORANGE HAT

Orange | S/M | 2860892
Orange | L/XL | 2862545



HUNTER ORANGE BEANIE

Orange | One Size | 2862595



NEW
RADIANT GREEN | S-3XL | 2833039
BLACK | S-3XL | 2862457

REVOLVE VEST

DURABLE AND WARM REVERSIBLE VEST OFFERS TWO STYLES IN ONE

- Durable windbreak outer fabric protects you from the elements
- 140g 3M™ Thinsulate™ insulation keeps you warm in cold weather
- Reversible for two unique styles in one



NEW **BLACK** | S-3XL | 2833041
NEW **RADIANT GREEN** | S-3XL | 2833040
BLUE | S-3XL | 2862460

SOFTSHELL JACKET

VERSATILE LIGHTWEIGHT JACKET THAT'S PERFECT FOR EVERYDAY WEAR

- Casual jacket armed with rugged and warm features
- Superior DWR prevents precipitation from saturating the jacket's exterior
- Lined with 280g of soft fleece for warmth
- Removable hood and underarm venting
- Three external pockets and one internal chest pocket



BLACK | S-3XL | 2861433

FORCE PUFFER JACKET

PACKABLE JACKET OFFERS LIGHTWEIGHT PROTECTION AND INCREDIBLE WARMTH

- 140g 3M™ Thinsulate™
- Two external hand pockets, one internal media pocket
- Rugged YKK™ zippers
- Compactable into travel pocket



BLACK | S-3XL | 2862563
BLUE | S-3XL | 2862564

WORK JACKET

WARM AND RUGGED JACKET THAT'S TOUGH FOR WORK AND STYLISH FOR PLAY

- 100% nylon shell is coated with DWR to help keep you dry
- 80g 3M™ Thinsulate™ for added warmth with brushed flannel trim
- Built-in action back for increased range of motion
- One inner and four outer pockets for storage



NEW **RADIANT GREEN** | S-3XL | 2833042
BLACK/GRAY | S-3XL | 2862458

TITAN MID-LAYER

EXTREMELY WARM YET BREATHABLE MID-LAYER, PERFECT FOR RIDING

- 319g Polartec™ Thermal Pro™ Rib Sweater provides great warmth
- Breathable material moves sweat to the outer surface
- Nylon overlay is comfortable and light



NEW
STAPLE HOODIE

Black | S-3XL | 2833095
 Gray | S-3XL | 2833096



JOURNEY HOODIE

NEW Radiant Green | S-3XL | 2833098
 Black | S-3XL | 2862515
 Blue | S-3XL | 2862516



TECH FULL-ZIP HOODIE

NEW Black | S-3XL | 2833097
 Maroon | S-3XL | 2861509
 Gray | S-3XL | 2861508



ICON HOODIE

NEW Gray | S-3XL | 2833099
 White | S-3XL | 2862512



ADVENTURE CREW

NEW Black/Radiant Green | S-3XL | 2833100
NEW Green | S-3XL | 2833101
 Dusty Rose | S-3XL | 2862513
 Black | S-3XL | 2862514



NEW
ADVENTURE LONG SLEEVE

Gray | S-3XL | 2833107
 Navy | S-3XL | 2833108



NEW
CORE TANK

Black | S-3XL | 2833161
 Gray | S-3XL | 2833160



NEW
FLAG TEE

Gray | S-3XL | 2833163
 White | S-3XL | 2833162



ADVENTURE TEE

NEW Pink | S-3XL | 2833104
 Black Frost | S-3XL | 2862628
 Teal | S-3XL | 2862629

APPAREL

RACING COLLECTION

JERSEYS & GLOVES & HEATED APPAREL

HELMETS & GOGGLES

MEN'S APPAREL

BALL CAPS

CAMO APPAREL

WOMEN'S APPAREL

HOME & COLLECTIBLES

HOME



RETRO CLOCK
91.4 cm | 2868662



NEW
POLARIS LED SIGN
91.4 cm x 35.6 cm | 2862736



ALUMINUM SIGN
55.9 cm | 2860867



WOOD SIGN
61 cm x 26.7 cm | 2860866



RETRO GLASSES (SET OF 2)
2866265



12oz CAMPER MUG
2861612



23oz WATER BOTTLE
2862685



WOODEN COASTERS
2860869



15oz CAMPFIRE MUG
2861613



PREMIUM KOOZIE
2860829



LEATHER LOOP KEYCHAIN
2861615



KEYCHAIN
2861614



KICKBACK ROCKER
2862626



FREESTYLE ROCKER
2862625



EASY CHAIR
2862627



QUICK-E-SEAT
2862624



FOLDABLE TABLE
2861620



POP-UP TRASH BIN
2861622



FLASK
2860812



DECK OF CARDS
2860816



HITCH COVER
2861623



LICENSE PLATE HOLDER
2862687



POLARIS PARKING SIGN
2869934



POLARIS FLAG
5' x 3' | 2869928



Availability varies by market, check your local dealer for availability. Images taken on private land. The use of vehicles in similar environments in your jurisdiction may be prohibited per locally applicable laws and regulations. Campfires in similar environments in your jurisdiction may be prohibited per locally applicable laws and regulations. Keep your campfire safe, and make sure you can control it at all times. Know your locally applicable laws and regulations. Crossing water in similar environments may be prohibited in your jurisdiction. Never transport a loaded firearm. Verify firearm is unloaded prior to mounting. Please refer to local laws and regulations regarding the requirements for the legal transport of firearms.

Warning: Polaris off-road vehicles can be hazardous to operate and are not intended for on-road use. Driver must be at least 16 years old with a valid driver's license to operate. All riders should always wear helmets, eye protection and protective clothing and footwear. Read, understand and follow your owner's manual. Ride within the limits of your own abilities and never engage in stunt or exhibition driving. Never ride under the influence of drugs or alcohol. All riders should take a safety training course. Call 800-342-3764 for additional information.

Unless noted, trademarks are the property of Polaris Industries Inc. 3M® and Thinsulate® are registered trademarks of 3M Company. 509® is a registered trademark of Teton Outfitters, LLC. App Store® is a registered trademark of Apple Inc. BatteryMINDer® is a registered trademark of VDC Electronics Inc. Bluetooth® is a registered trademark of Bluetooth Sig, Inc. Caliber® is a registered trademark of Caliber, Inc. Facebook™ is a service trademark of Facebook, Inc. Fidlock® is a registered trademark of Fidlock GmbH. FOX® is a registered trademark of Fox Factory Inc. Google Play™ and YouTube™ are registered trademarks of GOOGLE LLC. GoPro® is a registered trademark of GoPro Inc. Instagram™ is a service trademark of Instagram, LLC. Kolpin® is a registered trademark of Polaris Industries Inc. MORFLEX® is a registered trademark of FNA Group, Inc. NOCO Genius® is a registered trademark of The Noco Company. OGIO® is a registered trademark of Ogio International, Inc. Polartec® is a registered trademark of MMI-IPCO, LLC. RIGID® is a trademark of JST Performance, LLC d/b/a Rigid Industries, LLC. Rockford Fosgate® is a registered trademark of Rockford Corporation. SMART BOARD® is a registered trademark of SMART TECHNOLOGIES ULC UNLIMITED LIABILITY CORPORATION CANADA. TEKVEST® is a registered trademark of 1181676 ONTARIO INC. Tiger Drylac® is a registered trademark of TIGER COATINGS GMBH & CO. KG. Velcro® is a registered trademark of VELCRO BVDA. Twitter™ is a registered trademark of Twitter, Inc. WALKER EVANS RACING® is a registered trademark of Walker Evans Enterprises Incorporated. Yeti® is a registered trademark of Yeti Coolers, LLC. YKK® is a registered trademark of YKK Corporation. Prices, fitment and availability are subject to change at any moment. Copyright © 2022 Polaris Industries Inc. All rights reserved.

APPAREL

RACING COLLECTION

JERSEYS & GLOVES & HEATED APPAREL

HELMETS & GOGGLES

MEN'S APPAREL

BALL CAPS

CAMO APPAREL

WOMEN'S APPAREL

HOME & COLLECTIBLES

FORGE YOUR OWN PATH



POLARIS
Think Outside

MY23 SPTSMN APP ACC EMEA